

INSTRUCTION MANUAL FOR BACKBOARD SYSTEM SBA030



WARNING:
IMPROPER INSTALLATION
OR SWINGING ON THE RING
MAY CAUSE SERIOUS INJURY
OR DEATH

Notice to assemblers:

All the basketball systems, including those used for displays, must be assembled and ballasted according to instructions. Failure to follow instructions could result in serious injury.

Please read all warnings and cautions before assembly. It is recommended to supervise children as they play with this product. This product is to be assembled by 2 adults only!

We appreciate your purchasing one of our many fine products. We are assure that you will be very satisfied with your selection.



WARNING

Read and understand warnings listed below before using this product.

Failure to follow these warnings may result in serious injury and/or property damage.

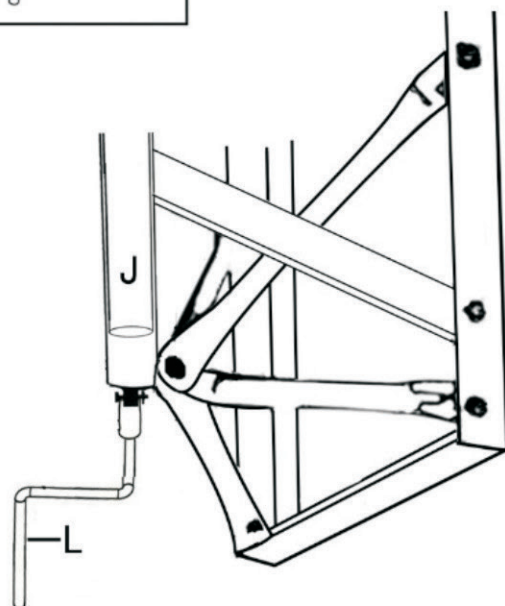
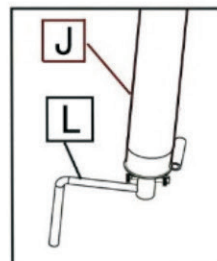
Owner must ensure that all players know and follow these rules for safe operation of the system.

- **DO NOT HANG** on the rim or any part of the system including backboard, support braces or net.
- During play, especially when performing dunk type activities, keep player's face away from the backboard, rim and net.
Serious injury could occur if teeth/face come in contact with backboard, rim or net.
- When adjusting height or moving system, keep hands and fingers away from moving parts.
- Do not allow children to move or adjust system.
- During play, do not wear jewelry (rings, watches, necklaces, etc.). Objects may entangle in net.
- Check pole system for signs of corrosion (rust, pitting, chipping) and repaint with exterior enamel paint. If rust has penetrated through the steel anywhere, replace pole immediately.
- Check system before each use for proper ballast, loose hardware, excessive wear and signs of corrosion and repair before use.
- Check system before each use for instability.

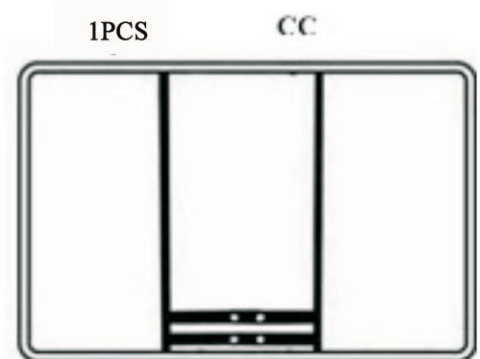
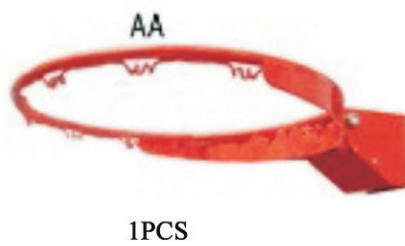
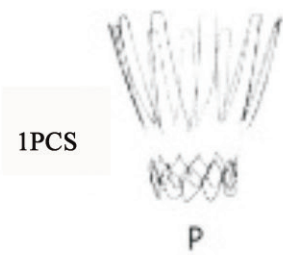
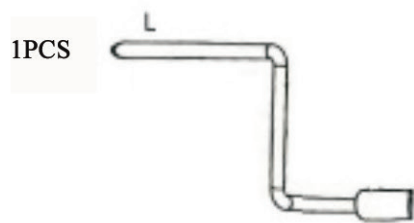
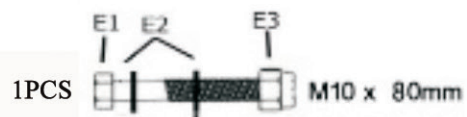
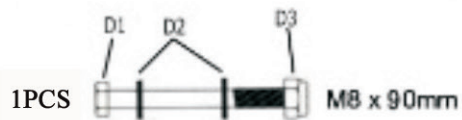
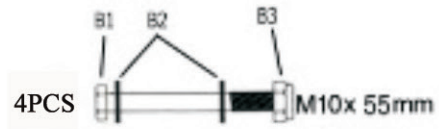
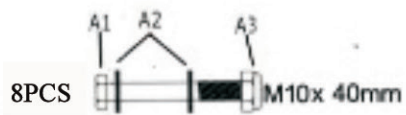
HEIGHT ADJUSTMENT

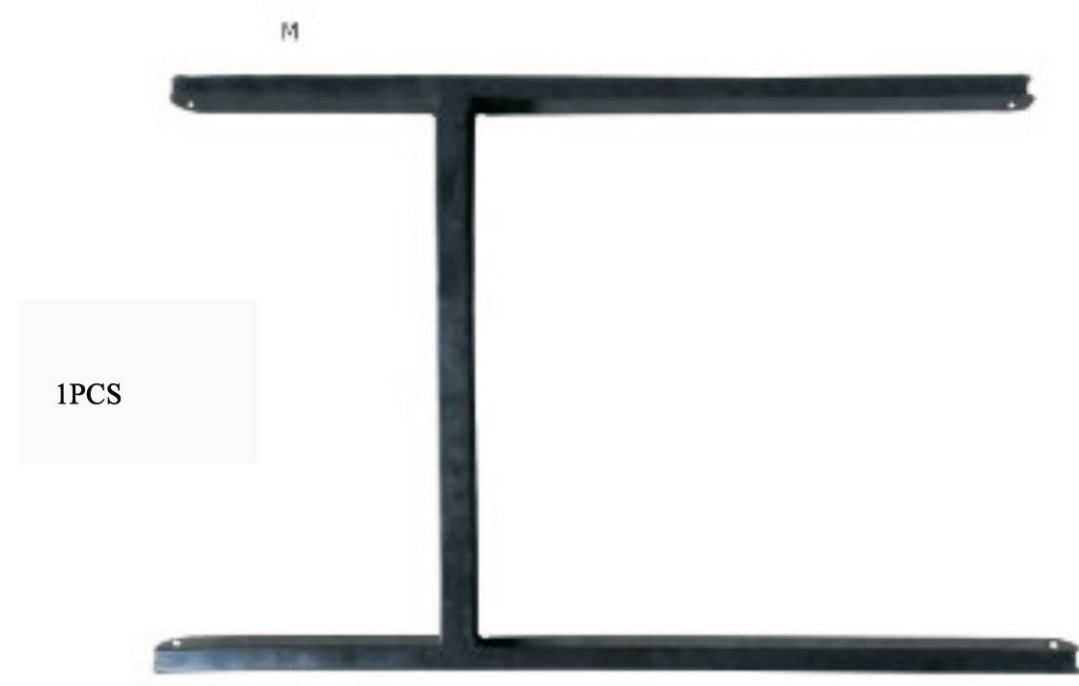
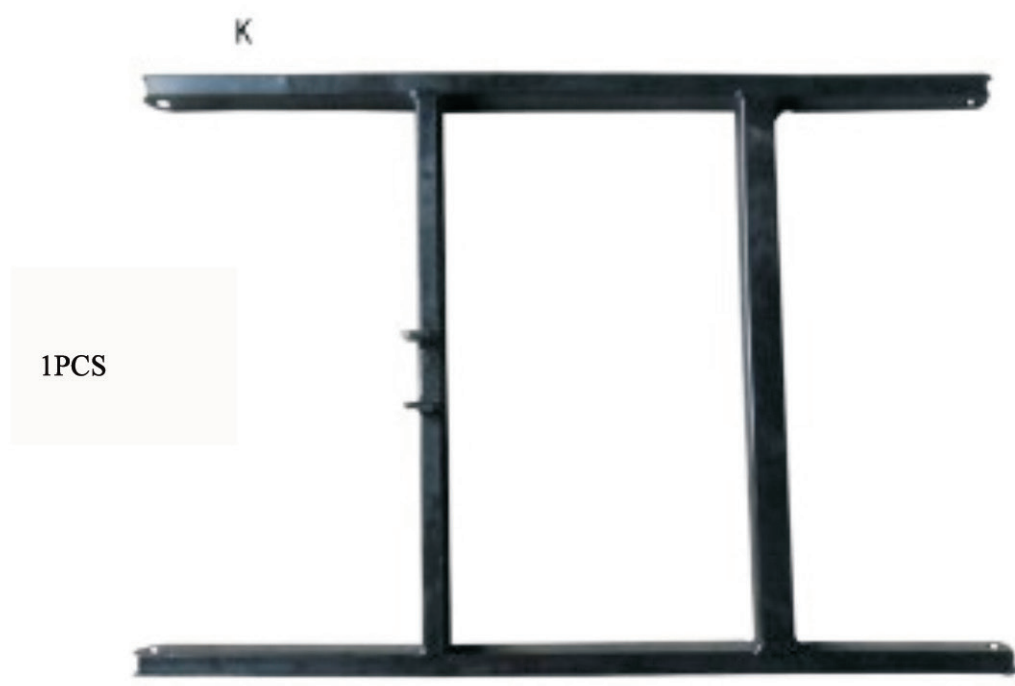
The rim height adjustment can be from 2.30m to 3.05m.

Rotate the crank handle L to adjust the rim height



PART LIST

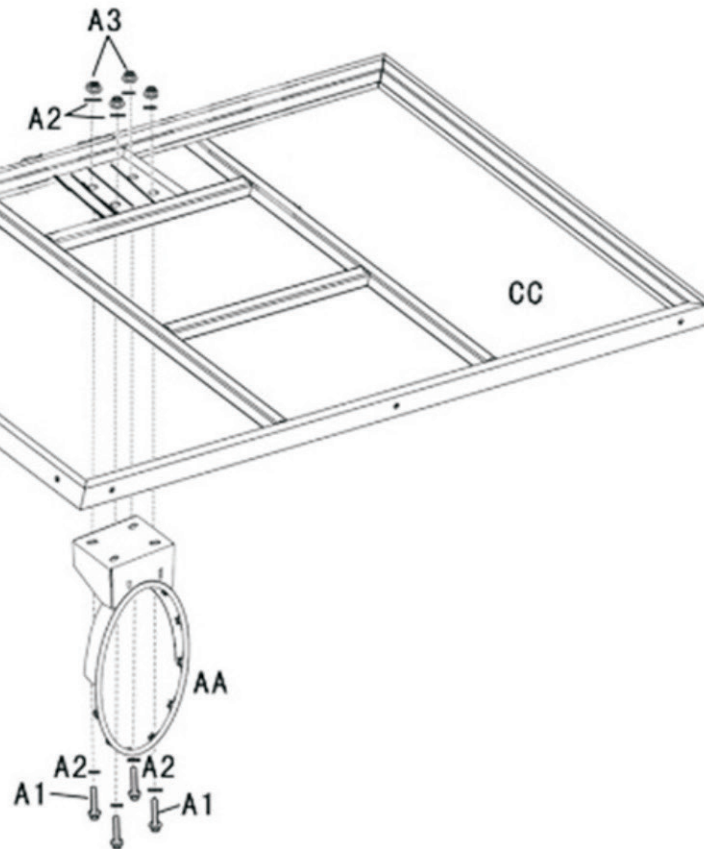




ASSEMBLE STEP

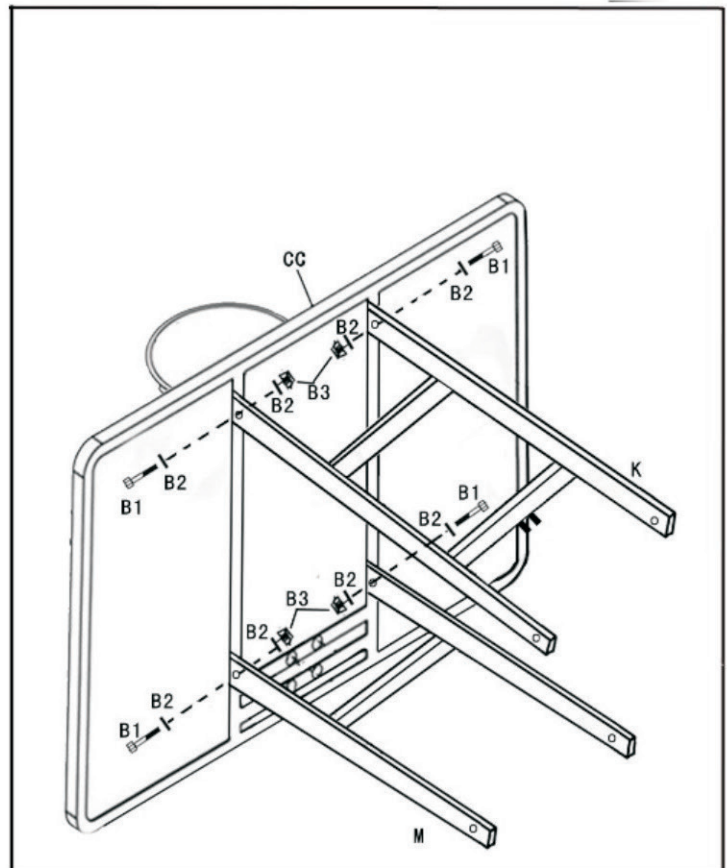
Step 1

Fix the rim AA on front of backboard CC by bolts A1, A2, A3 as shown. You need take apart the 2pcs rim springs before this step, and put it back after the rim is fixed on backboard.



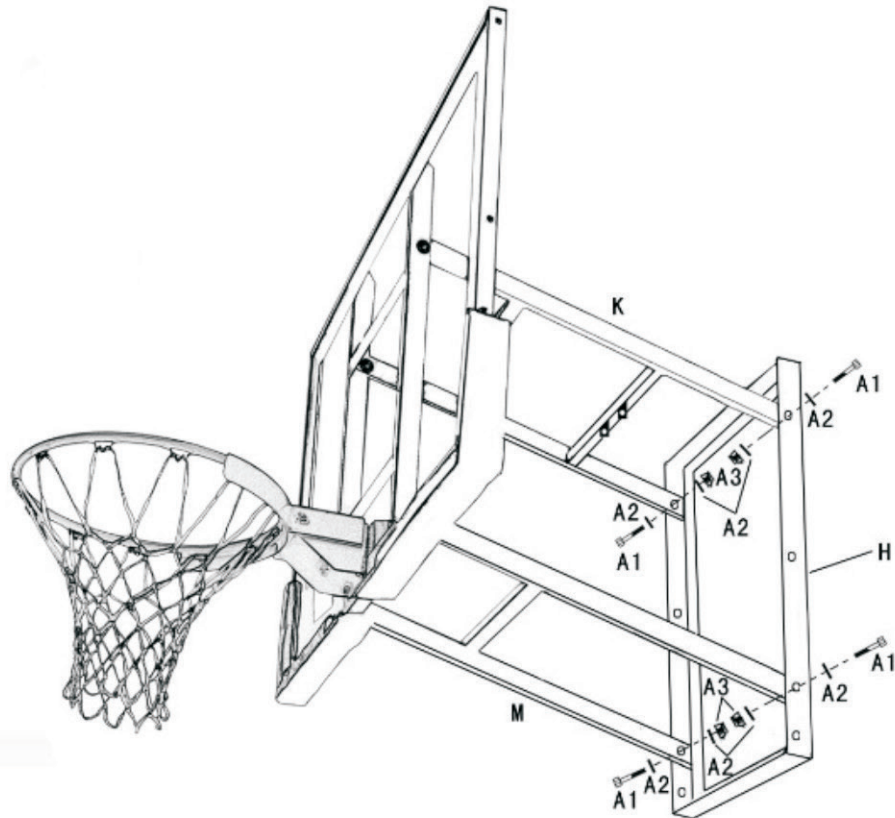
Step 2

Fix the lower bracket M and upper bracket K on the back of backboard CC as shown. Please make sure the direction of bracket M and upper bracket K should be assembled same as below picture, otherwise you couldn't continue next steps.



Step 3

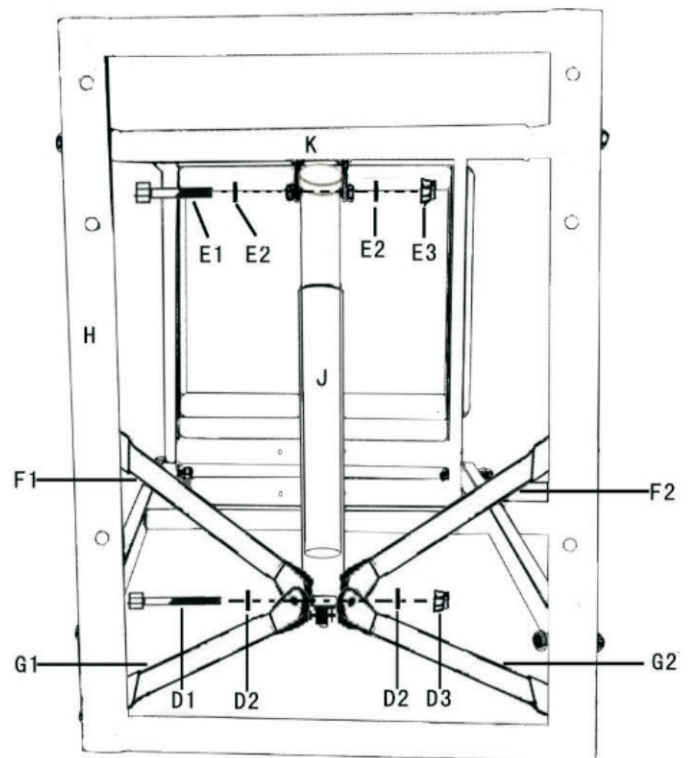
Fix the other ends of lower bracket M and upper bracket K on mounting frame H by bolts A1, A2, A3 as shown. Make sure the up and down direction of mounting frame H is same as below picture.



Step 4

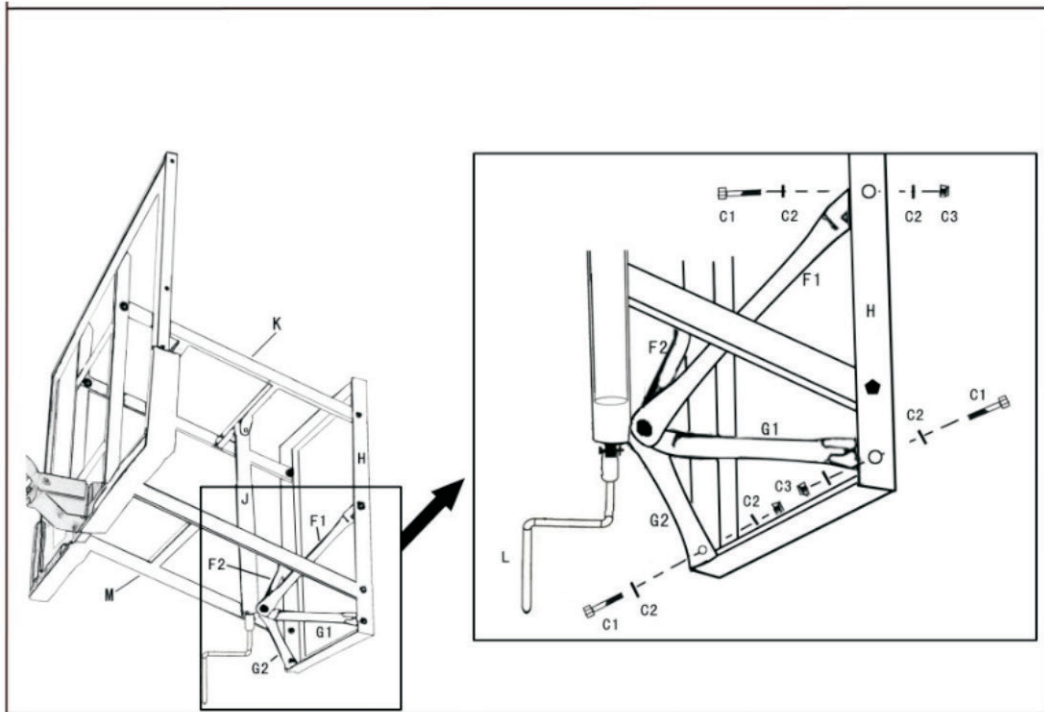
a. Fix the top end of adjustment mechanism J on upper bracket K by bolt E1, E2, E3 as shown.

b. Fix the 4 pcs braces F1, F2, G1, G2 on the bottom of adjustment mechanism J by bolts D1, D2, D3, D4 as shown.



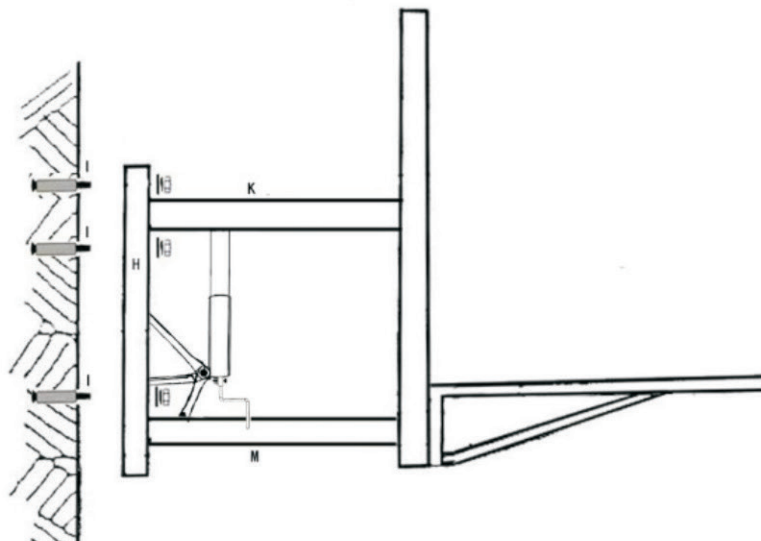
Step 5

- a. Install the crank handle L at the axle bottom of adjustment mechanism J as shown.
- b. Fix the other ends of the 4 pcs braces F1, F2, G1, G2 on mounting frame H refer to following pictures and photos.



Step 6

- Mark 6 position on the wall that you are going to install the whole backboard system according to the holes on mounting bracket H. Then drill holes for the 6 pcs plug bolts I. Fix the whole assembled backboard on the wall firmly.



Step 7.

Assemble net P on rim AA as shown.

