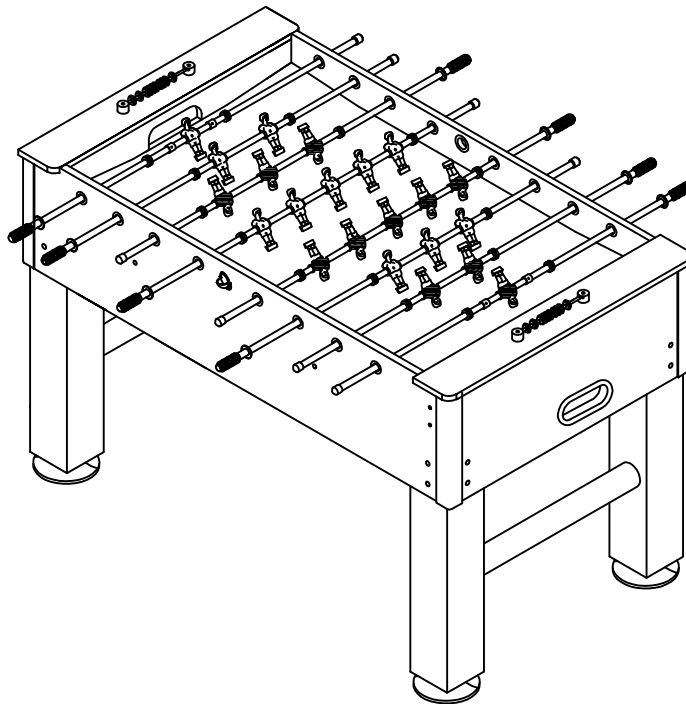


# TABLE SOCCER

#98652



Assembly Instructions

Parts List

- Not suitable for children under 3 years. Small part can be swallowed.
- The product shall be assembled properly by an adult before use.

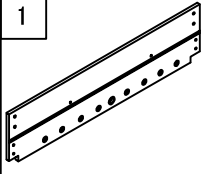
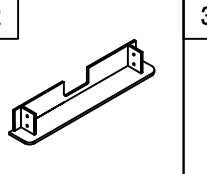
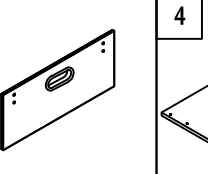
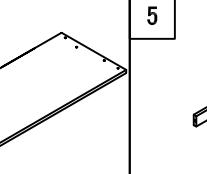
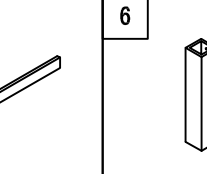
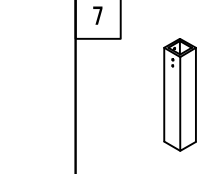

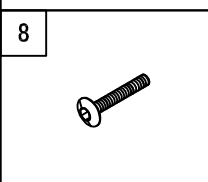
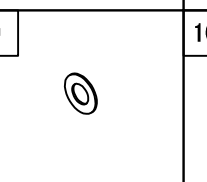
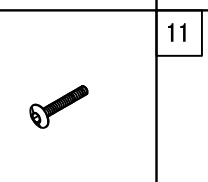
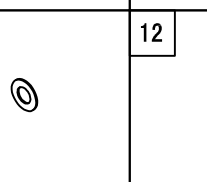
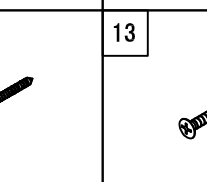
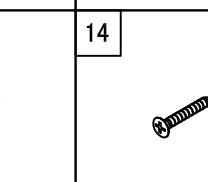

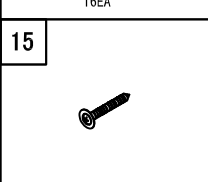
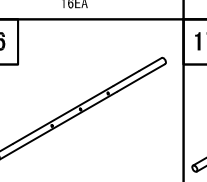
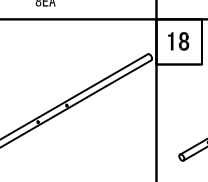
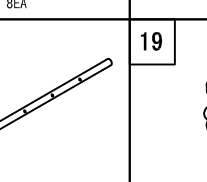
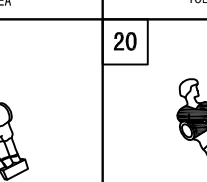
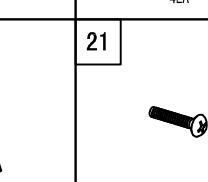

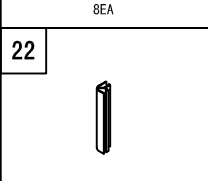
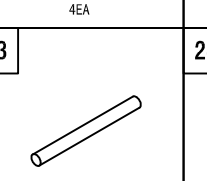
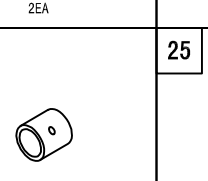
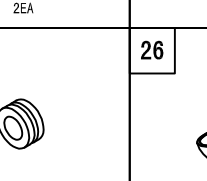
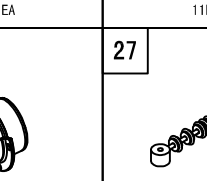
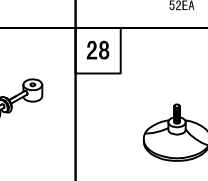

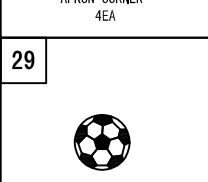
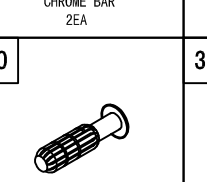
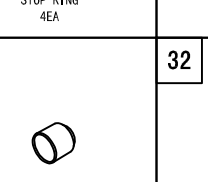
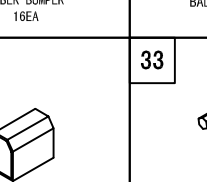
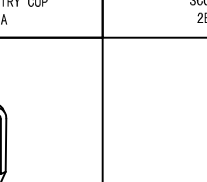


**WARNING:** Choking Hazard--Toy contains small balls and/or small parts. Not for children under 3 years.

## IMPORTANT!

**Please Keep Your Instructions.** Before attempting assembly, please read through this instruction book to familiarize yourself with all the parts and assembly steps. We recommend that two adults assemble this game. Please refer to the Parts List below and be sure that all parts have been included.

## PARTS LIST

1  SIDE BOARD 2EA	2  GOAL END BOARD 2EA	3  END BOARD 2EA	4  SOCCER PLAYFIELD 1EA	5  SUPPORT BRACE 2EA	6  LEFT LEG 2EA	7  RIGHT LEG 2EA
8  8X30MM LEG BOLT 16EA	9  22X8.5MM WASHER 16EA	10  6X65MM BOLT 8EA	11  18X6.5MM WASHER 8EA	12  3.5X35MM WASHER HEAD SCREW 12EA	13  3.5X14MM FLAT HEAD SCREW 10EA	14  3.5X16MM FLAT HEAD SCREW 4EA
15  3.5X21MM WASHER HEAD SCREW 8EA	16  1 (3) PLAYER ROD (965MM) 4EA	17  2 PLAYER ROD (1080MM) 2EA	18  5 PLAYER ROD (895MM) 2EA	19  PLAYER (WHITE) 11EA	20  PLAYER (BLUE) 11EA	21  3.5X7MM ROUND HEAD SCREW 52EA
22  APRON CORNER 4EA	23  CHROME BAR 2EA	24  STOP RING 4EA	25  RUBBER BUMPER 16EA	26  BALL ENTRY CUP 2EA	27  SCORER 2EA	28  LEG LEVELER 4EA
29  SOCCER BALL 2EA	30  HAND GRIP 8EA	31  END CAP 8EA	32  GOAL BOX 2EA	33  ALLEN WRENCH 1EA		

## ASSEMBLY INSTRUCTIONS:

*We recommend that two adults work together to assemble this game.*

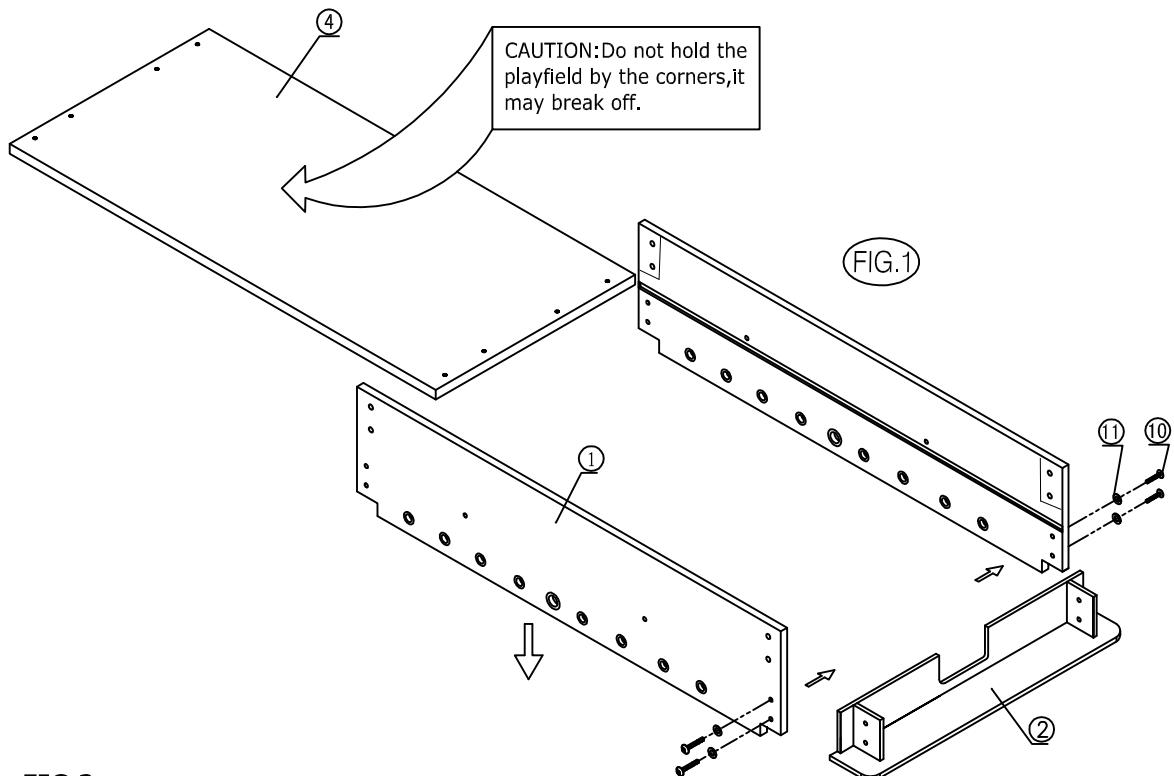
- 1) Open the carton of your new table game near where you will play. Select a clear level floor. This game requires at least two adults to assemble the table.
- 2) Remove all the contents from inside the carton and verify that you have all listed parts as shown on the Parts List. We suggest that you use the bottom carton as a clean flat working area to the game protect. Carefully cut or tear the four carton corners so that the bottom carton is now your work area.

### **FIG.1.**

- 3) Attach one Goal End Board (#2) between the Side Boards (#1) using two Bolts (#10) and two Washers (#11) per side as shown in FIG 1.

NOTE: Do not tighten the screws too fast now, in a later step you will have to do so.

- 4) Slide the Playfield (#4) with graphics facing down as shown in FIG.1. If the field does not slide smoothly, check to be sure you have not over tightened any screws or the playfield is not caught by the slot.

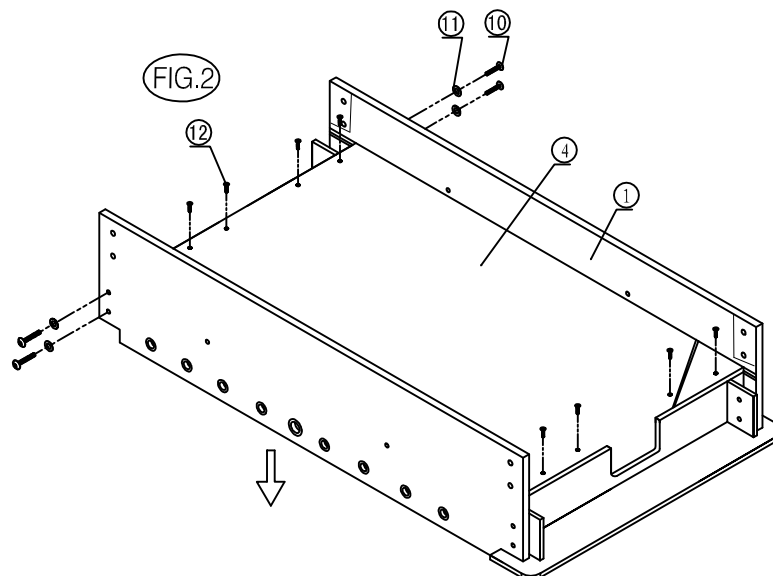


### **FIG.2.**

- 5) Repeat the step to attach the other Goal End Board (#2) to Side Boards (#1) as shown in FIG 2.

NOTE: Be sure that two side Boards (#1) and goal end boards (#2) are square.

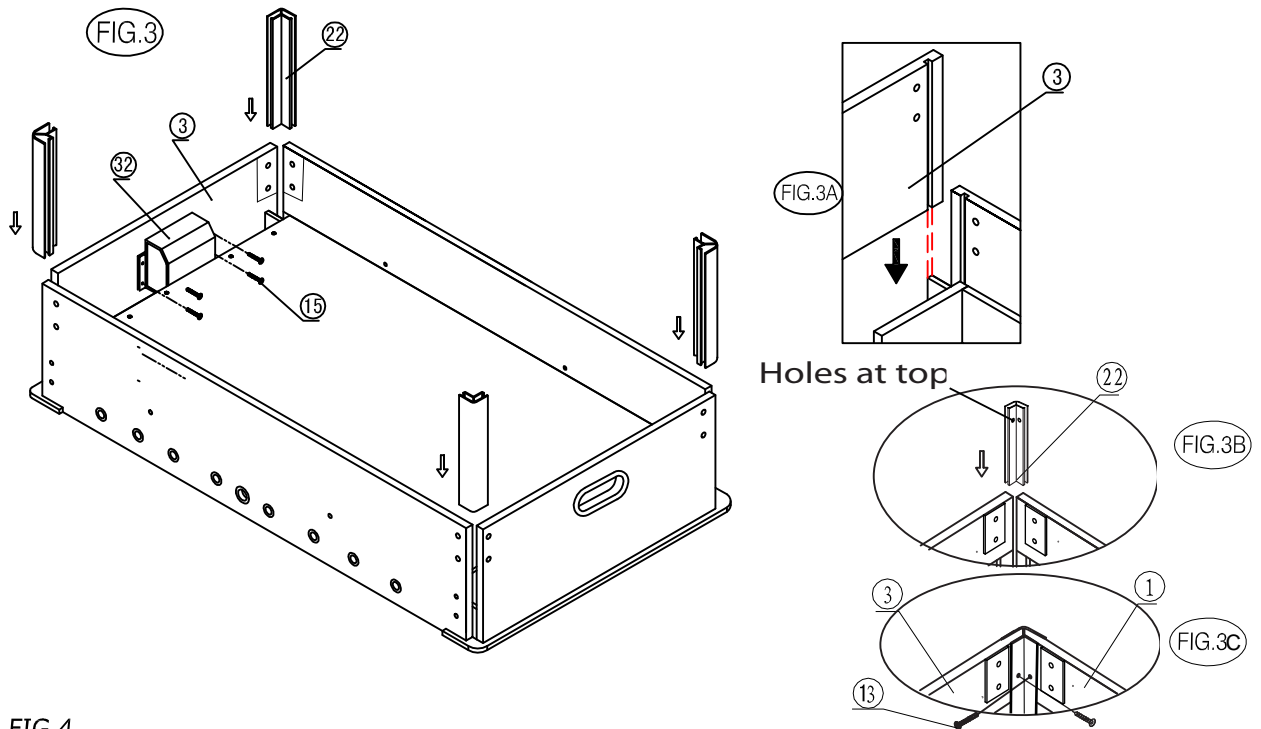
- 6) Fix the Soccer Playfield (#4) on the Goal End Boards (#2) using eight Washer Head Screws (#12) as shown in FIG.2.



**FIG.3.**

7) Place the two End Boards (#3) on the open ends and slide the four corners (#22) into the groove of Side (#1) and End Boards (#3) as shown in FIG 3A and 3B.

8) Attach the Goal Boxes (#32) to End Boards using four of Washer Head Screws (#15) per Goal Box. See FIG.3.



**FIG.4.**

9) Place two Support Braces (#5) on Playfield (#4) as shown in FIG.4. Attach them using two of Washer Head screws (#12) per Side. See FIG.4.

**FIG.5.**

10) Attach the Left (#6) and Right (#7) Legs with the Chrome Bar (#23) between them to the football table using four Leg Bolts (#8) and four Washers (#9) per leg as shown in FIG 5 and 5A.

NOTE: If you are having trouble inserting the leg bolts (#8), you may have to go back to step 3 and loosen the bolts (#10) a little.

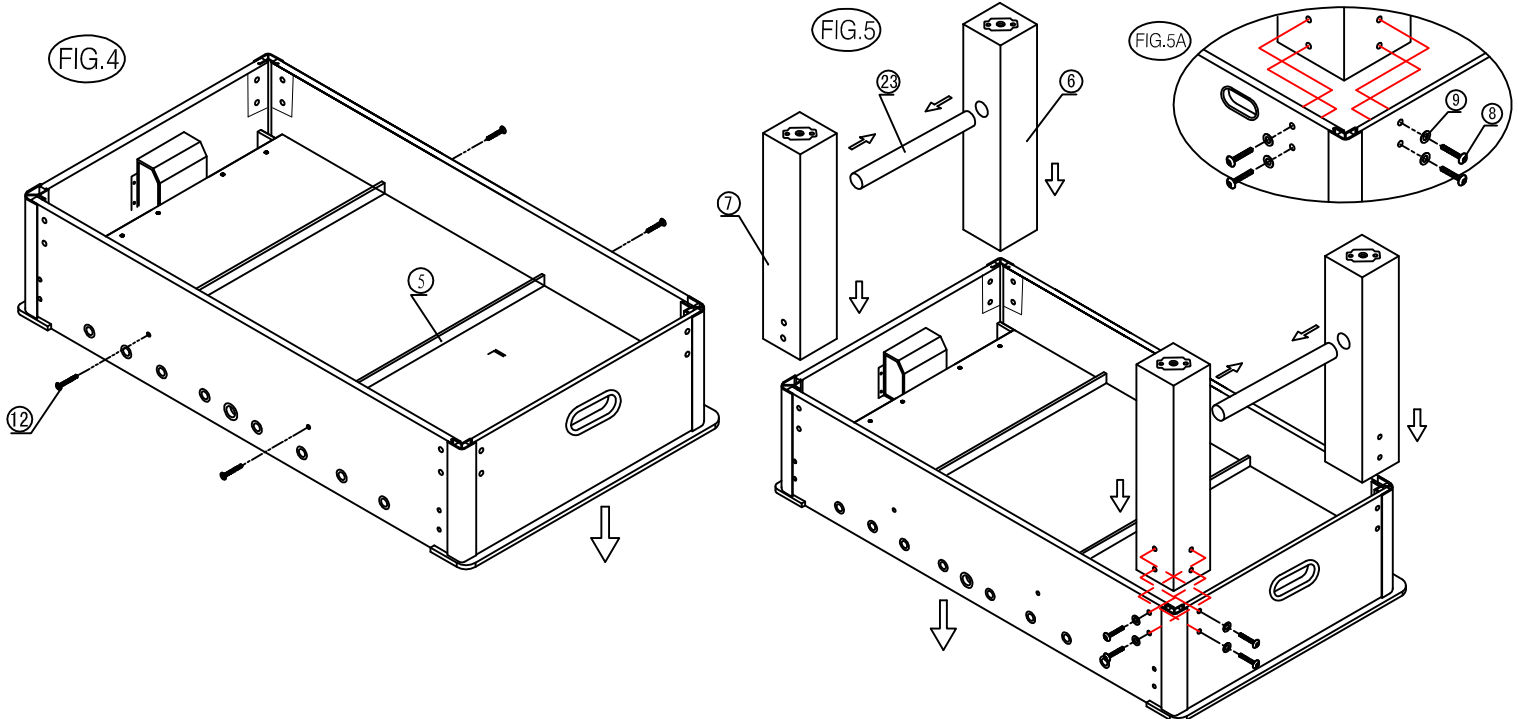


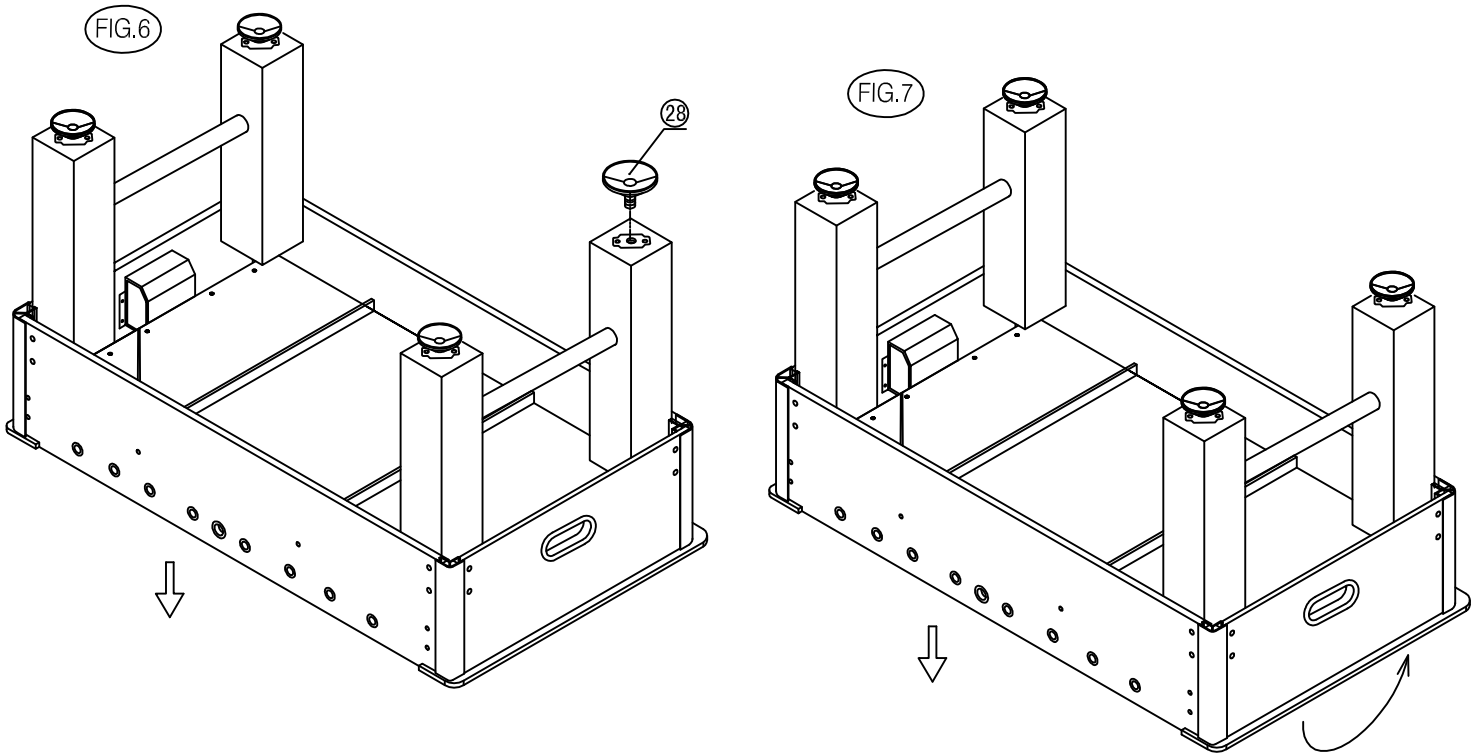
FIG. 6.

11) Locate the Leg Levelers (#28) and screw one into each Leg as shown in FIG 6.

FIG. 7.

12) Lift the table assembly from the floor with two strong adults, turn it over, and set the table on its legs in the location where you will play the game.

NOTE: Do not hold the legs! You should pick up the table at the table cabinet! as shown in FIG 7.



**CAUTION:** Two strong adults are recommended to flip the table as shown.  
 1. Grab the table on the ground.  
 2. Turn the table over.  
 3. Place it on all four feet at the same time on the ground.

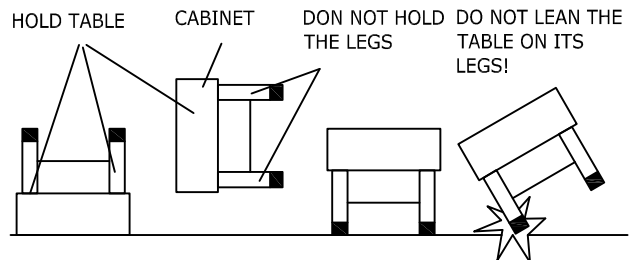


FIG. 8.

13) Slide one player (#19 or #20) in the middle and one stop ring (#24) and one rubber bumper (#25) on each side of the player onto the two 1 player rods (#16). See FIG. 8 and 8A. Slide stop rings (#25) and players (#19 or #20) onto player rods (#16, #17 and #18) See FIG. 8 and 8A.

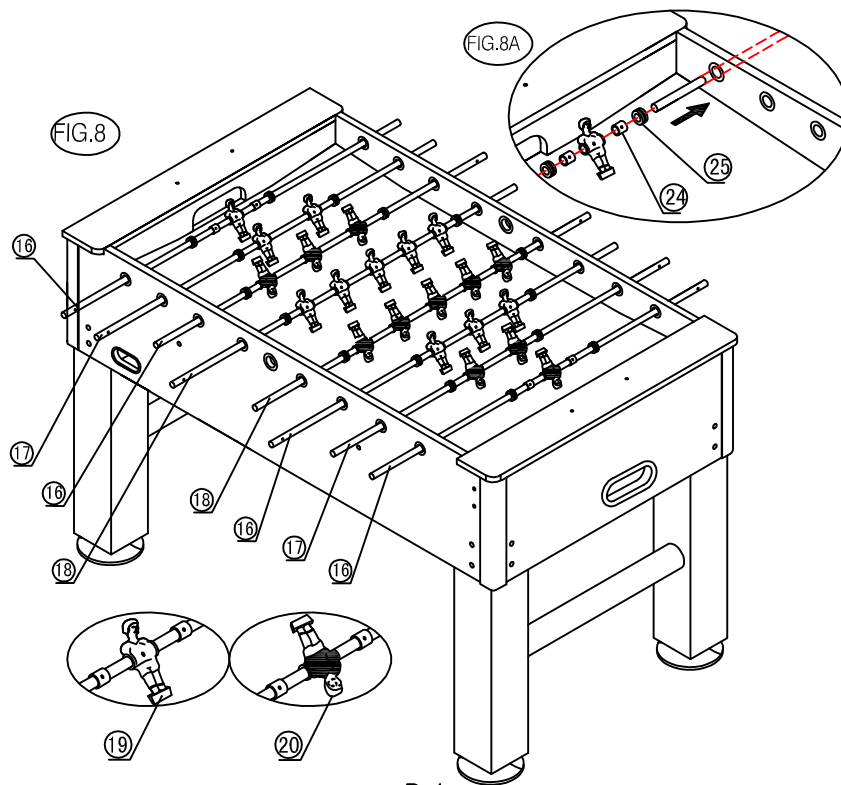


FIG.9.

14) Use two round head screws (#21) per stop ring (#24) and player (#19 or #20) as shown in FIG 9 and 9A.

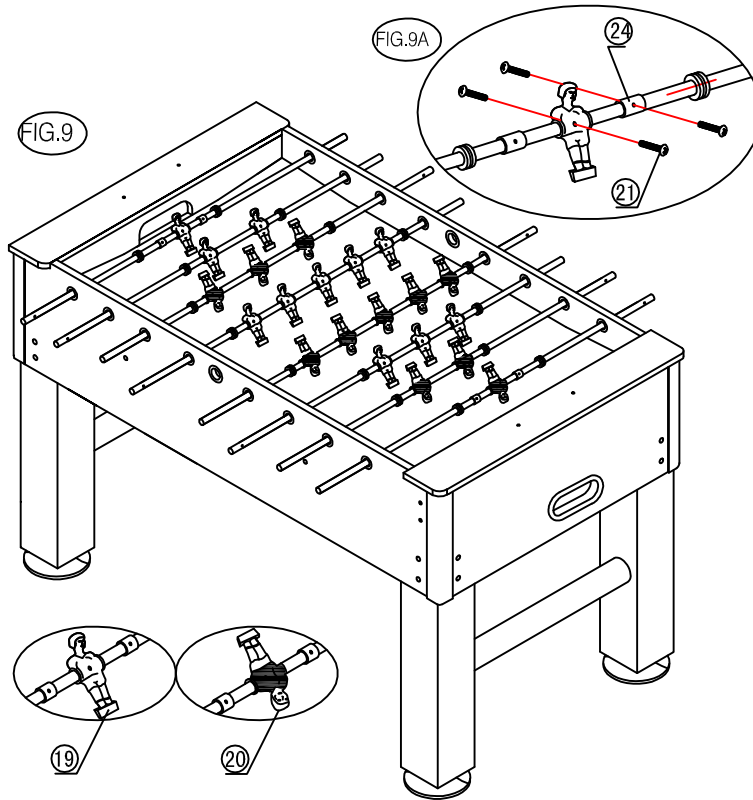


FIG.10.

15) Attach the two ball return cups (#26) to the side boards (#1) using three flat head screw (#13) per side. See FIG.10 and 10A.

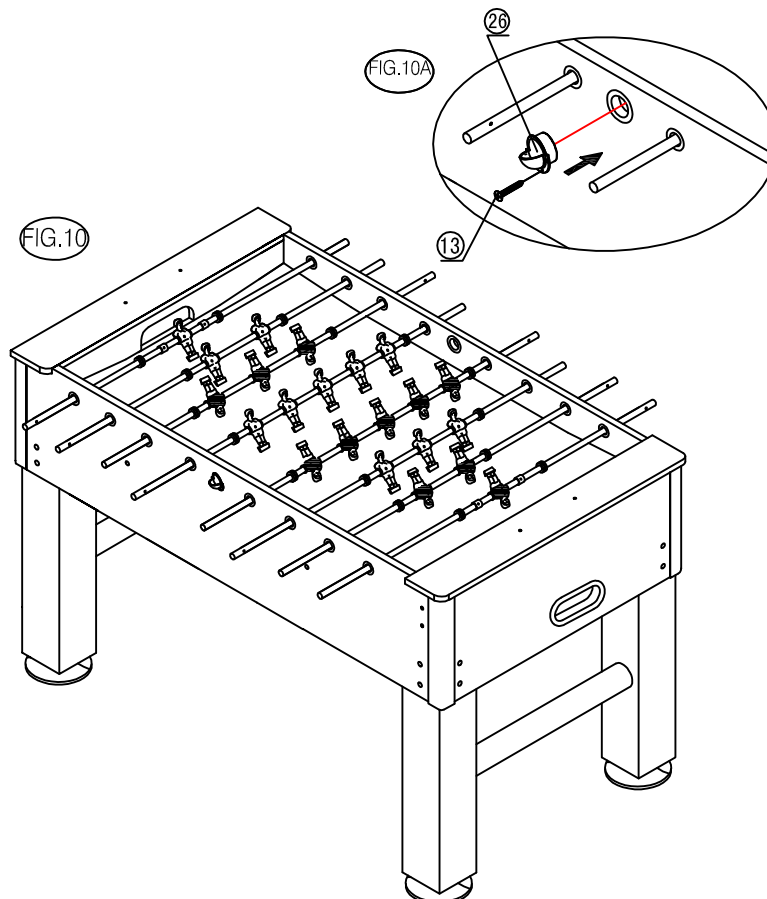


FIG.11.

16) Attach the two scorers (#27) to the two goal end boards (#2) using two flat head screws (#14) per scorer. See FIG.11.

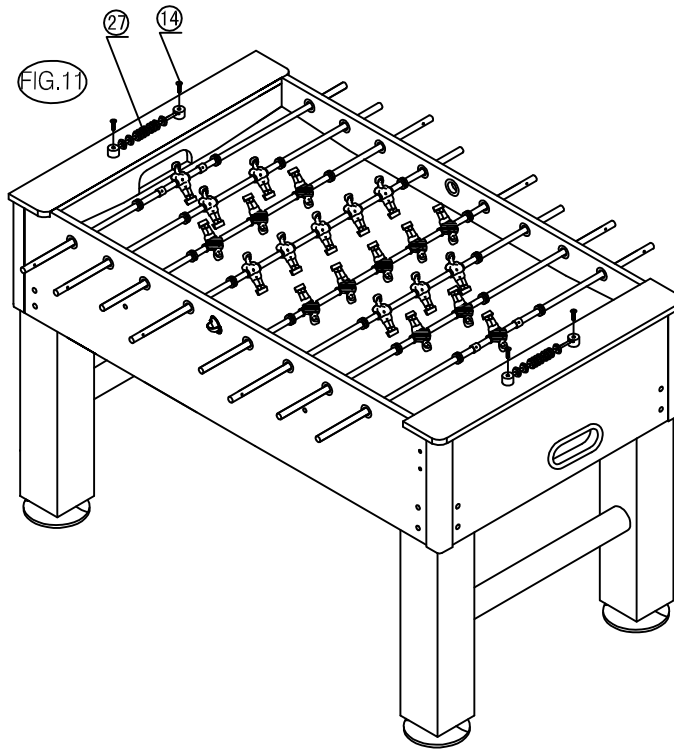


FIG.12.

17) Slide the hand grips (#30) and end caps (#31) onto the player rods.

TIP: To make the Handles easier to attach, spray a little window cleaner on the rod ends prior to installation and gently hammer it with a wooden hammer onto the player rods. See FIG.12 and 12A.

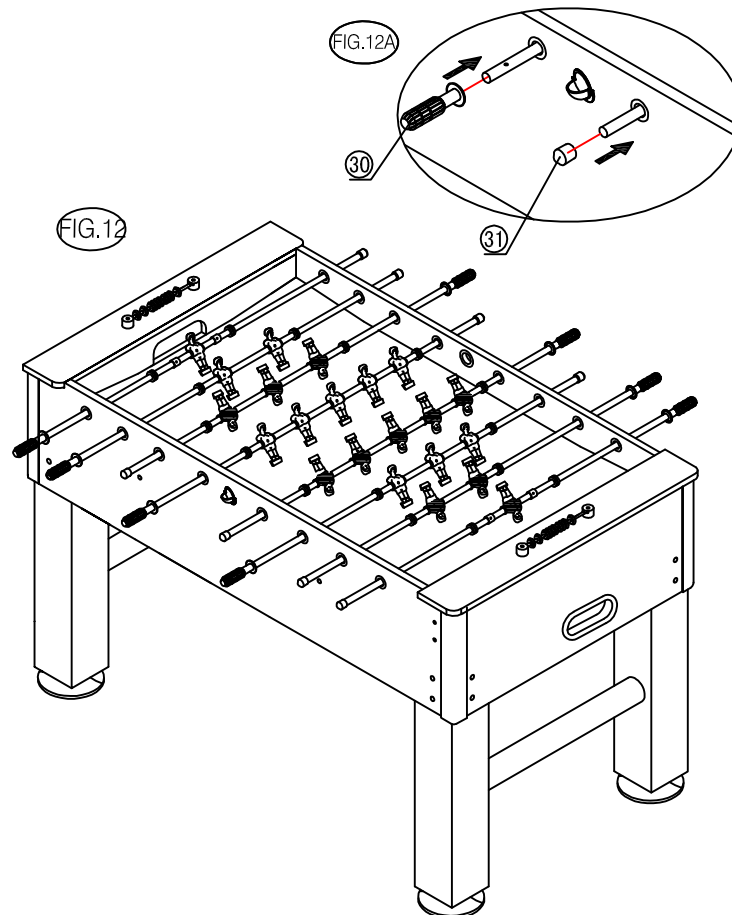
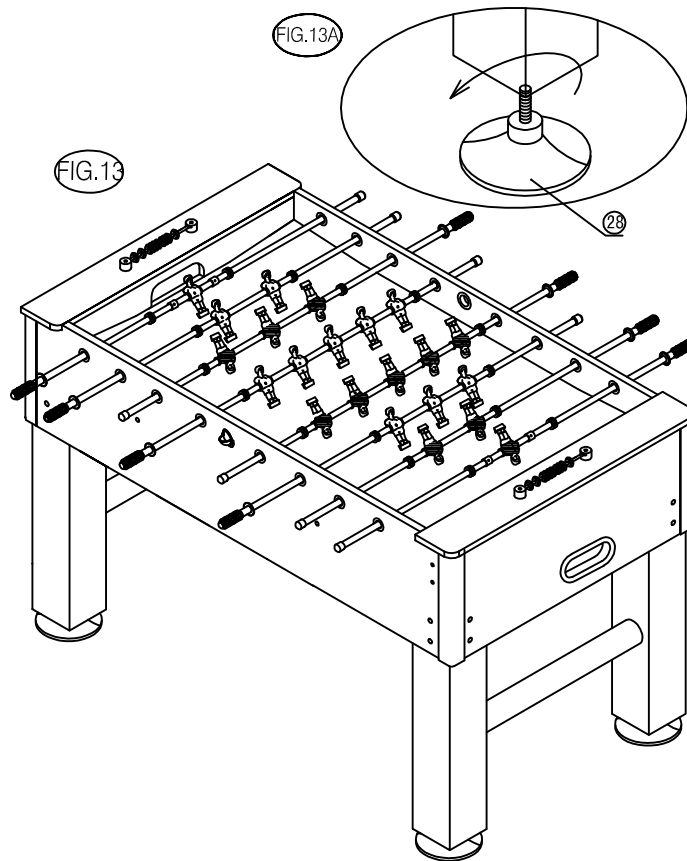


FIG.13.

18) If the table is not leveled you can adjust the leg levelers (#28) one by one till the table is exactly level. See FIG.13 and 13A.



THE GAME ASSEMBLY IS COMPLETE.  
YOU ARE NOW READY TO PLAY

