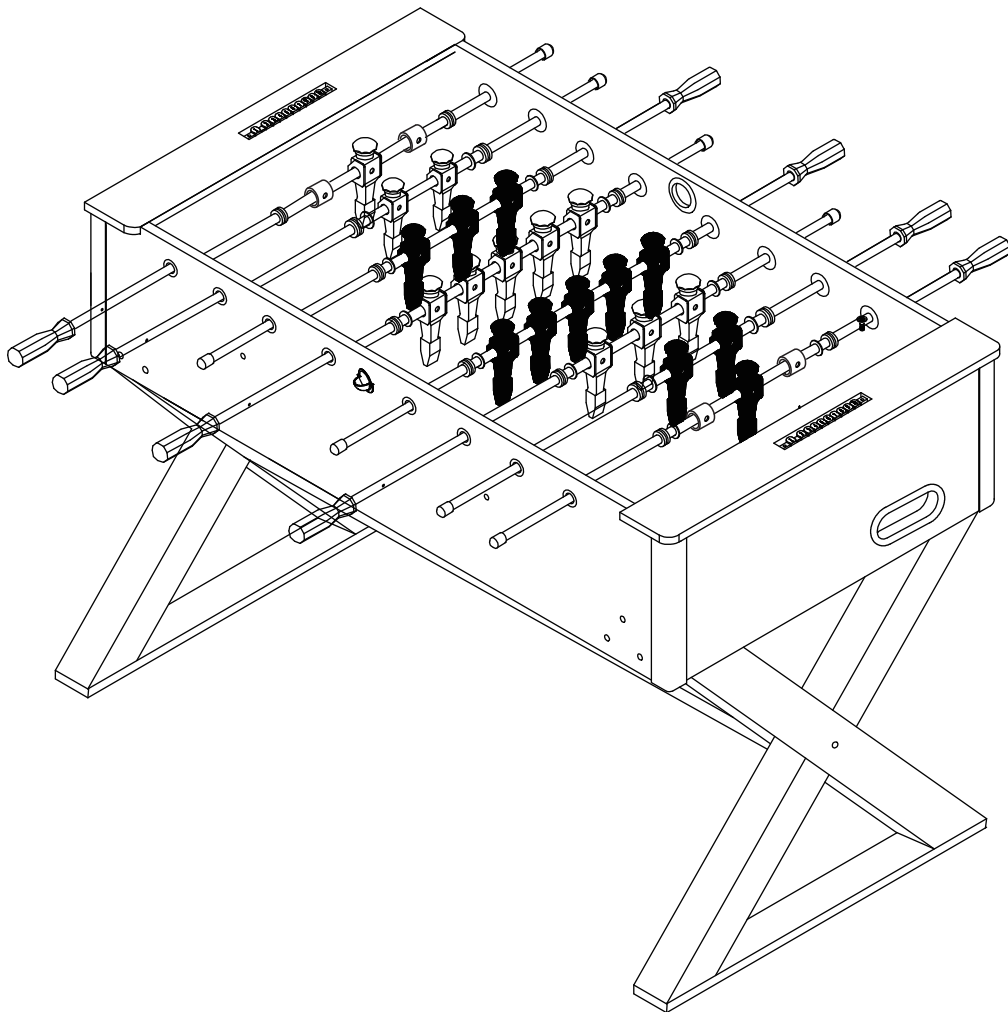


Instruction Manual

Code: 98653



- Not suitable for children under 3 years. Small part can be swallowed.
- The product shall be assembled properly by an adult before use.

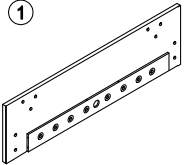
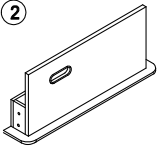
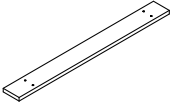
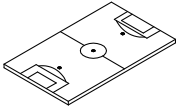
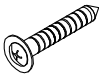


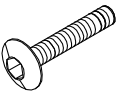


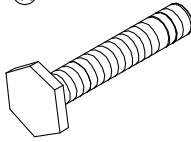
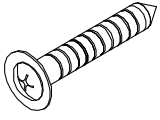
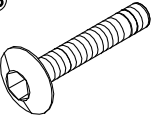
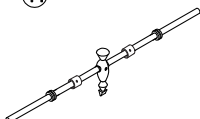
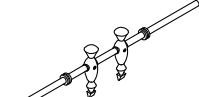
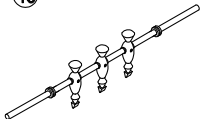

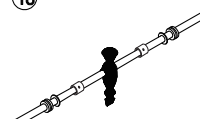
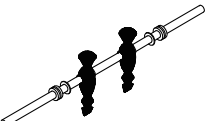
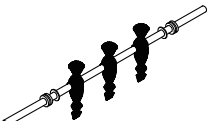
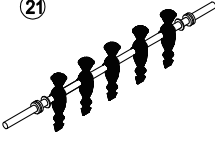



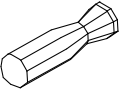

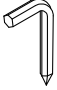
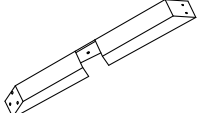
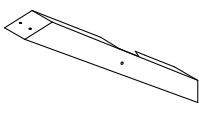
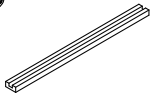
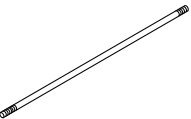

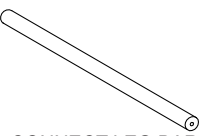
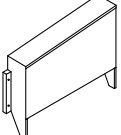




WARNING: Choking Hazard--Toy contains small balls and/or small parts. Not for children under 3 years.

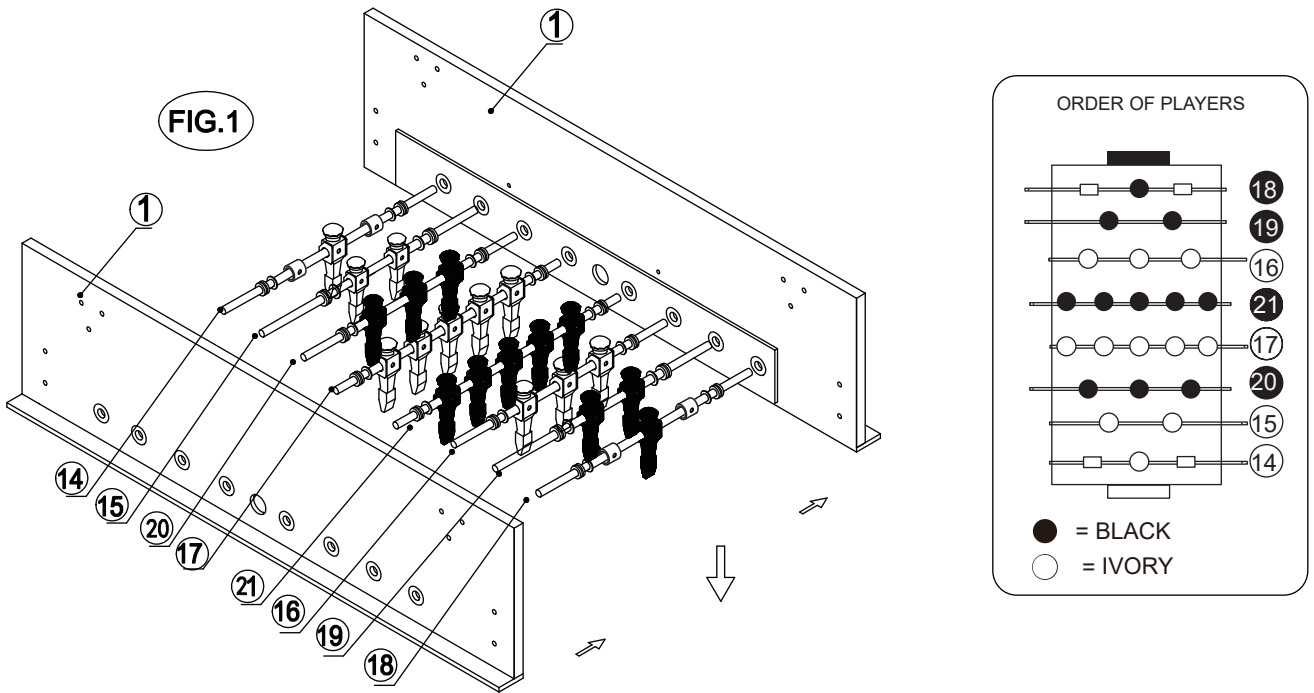
IMPORTANT!

Please Keep Your Instructions. Before attempting assembly, please read through this instruction book to familiarize yourself with all the parts and assembly steps. We recommend that two adults assemble this game. Please refer to the Parts List below and be sure that all parts have been included.

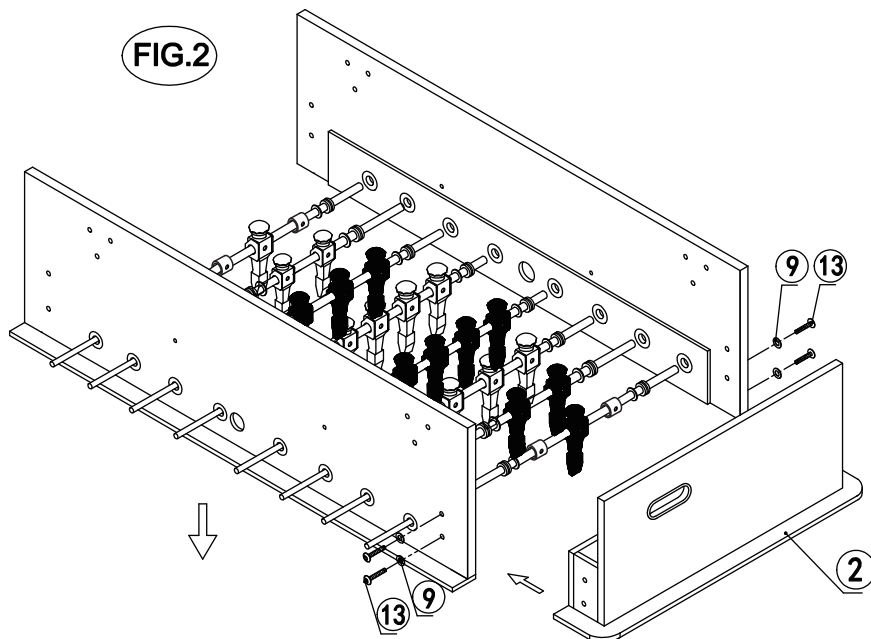
PARTS LIST

 ① SIDE APRON 2PCS	 ② END APRON 2PCS	 ③ LEG BASE BOARD 2PCS	 ④ PLAYFIELD 1PC	 ⑤ 3.5X25MM RWA SCREW 8PCS	 ⑥ 3.5X25MM FA SCREW 4PCS Installed
 ⑦ 3.5X12MM FA SCREW 2PCS	 ⑧ 8 X 28MM BOLT 12PCS	 ⑨ 22 X 8.5MM WASHER 22PCS	 ⑩ 3.5X12MM RWA SCREW 8PCS	 ⑪ 8 X 130MM BOLT 2PCS	 ⑫ 3.5X35MM RWA SCREW 20PCS
 ⑬ 8 X 70MM BOLT 8PCS	 ⑭ 3 PLAYER ROD IVORY 2PCS	 ⑮ 2 PLAYER ROD IVORY 1PC	 ⑯ 3 PLAYER ROD IVORY 2PCS	 ⑰ 5 PLAYER ROD IVORY 1PC	 ⑱ 3 PLAYER ROD BLACK 2PCS
 ⑲ 2 PLAYER ROD BLACK 1PC	 ⑳ 3 PLAYER ROD BLACK 2PCS	 ㉑ 5 PLAYER ROD BLACK 1PC	 ㉒ APRON CORNER 4PCS	 ㉓ SCORER 2PCS Installed	 ㉔ SOCCER BALL 2PCS
 ㉕ HANDLE GRIP 8PCS	 ㉖ ROD CAP 8PCS	 ㉗ ALLEN KEY 1PC	 ㉘ LEFT LEG 2PCS	 ㉙ RIGHT LEG 2PCS	 ㉚ SUPPORT BRACE 3PCS
 ㉛ SUPPORT ROD 3PCS	 ㉜ SUPPORT ROD NUT 6PCS	 ㉝ CONNECT LEG BAR 1PC	 ㉞ GOAL BOX 2PCS	 ㉟ BALL ENTRY CUP 2PCS	 ㊱ WRENCH 1PC

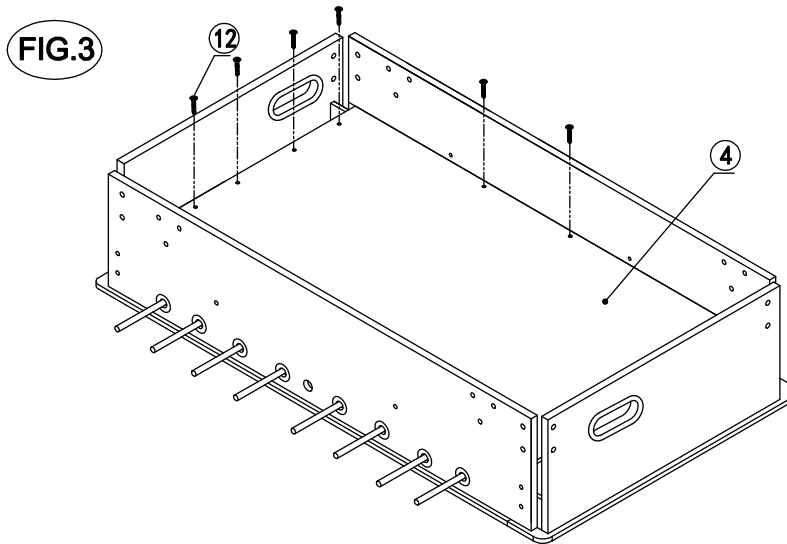
1. Open the carton of the game table and put all parts out of carton. Slide the player rods (#14-#21) to the Side Aprons (#1) and make sure every rod in correct direction. See FIG.1 as below:



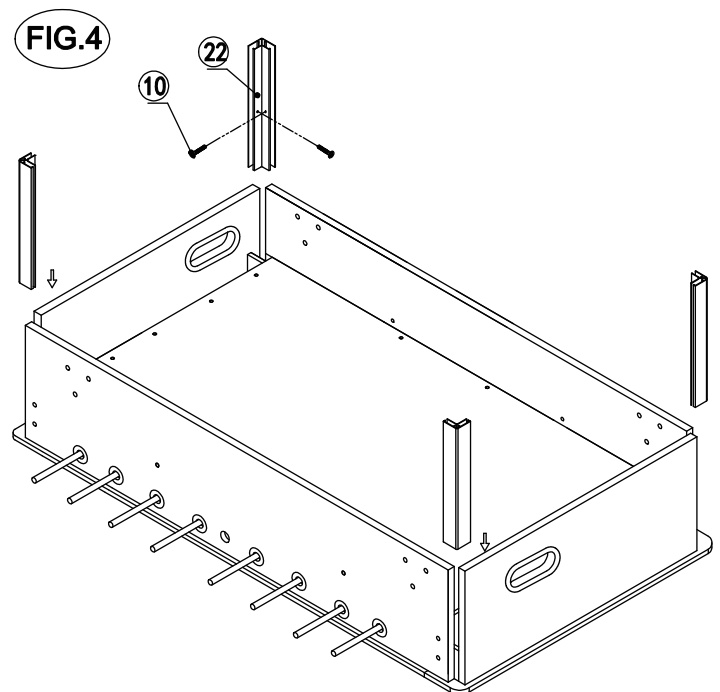
2. Assemble the End Apron (#2) to the Side Apron (#1) by using four Bolts (#13) and four Washers (#9) per end apron. See FIG.2.
Then repeat the other end apron.



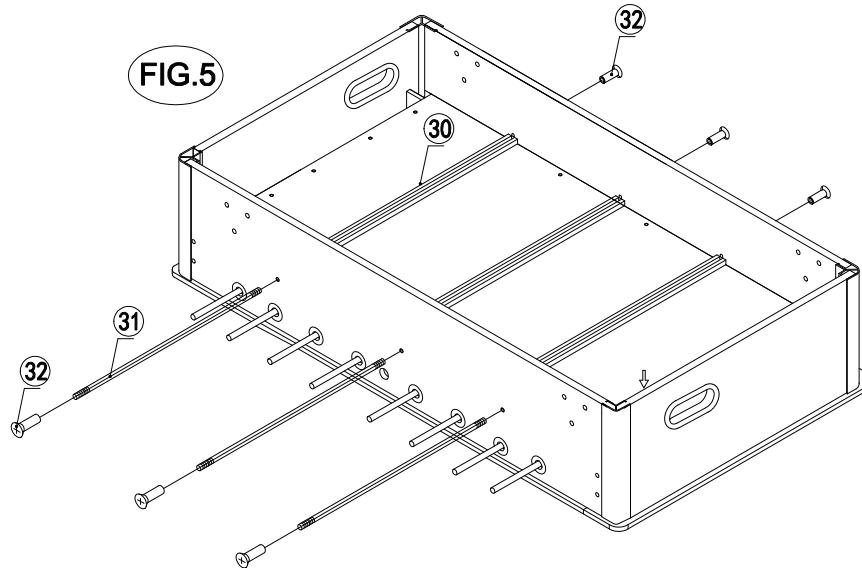
3. Put the Playfield (#4) with the graphic facing down on the apron and using twenty Screws(#12) to fix it. See FIG.3 as below.



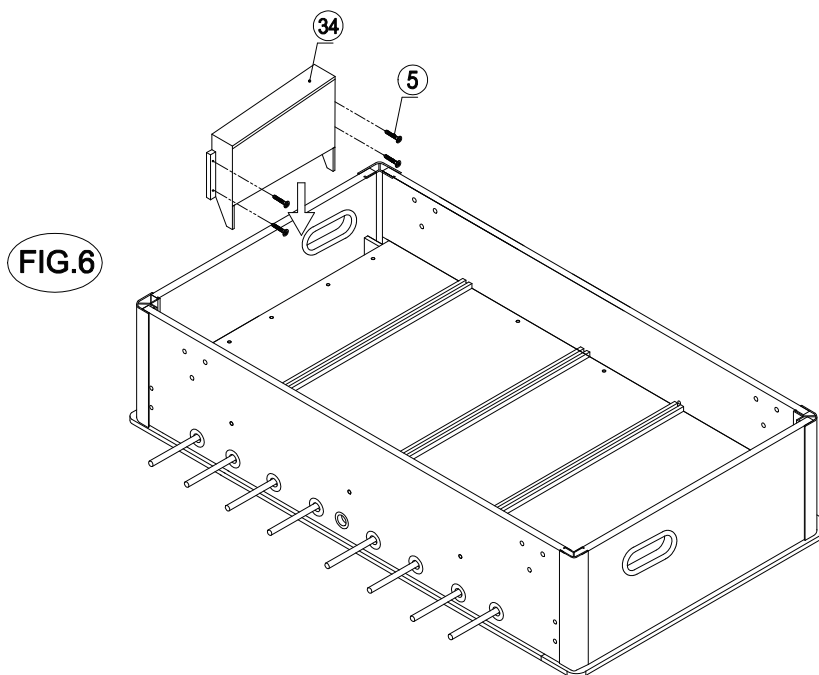
4. Slide the Apron Corner (#22) to the aprons and use two Screws (10) to fix it, See FIG.4



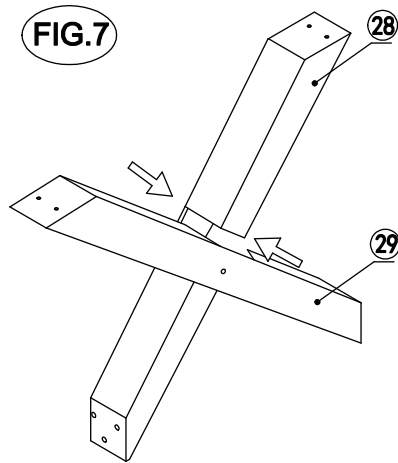
5. Put the Support Braces (#30) on the back of playfield and slide the Support Rod (#31) to the groove of support brace and fix it with two Support Rod Nuts (#32) per support rod. See FIG.5 as below



6. Attach the Goal Box (#34) to the end apron by using four Screws (#5) per goal box as FIG.6

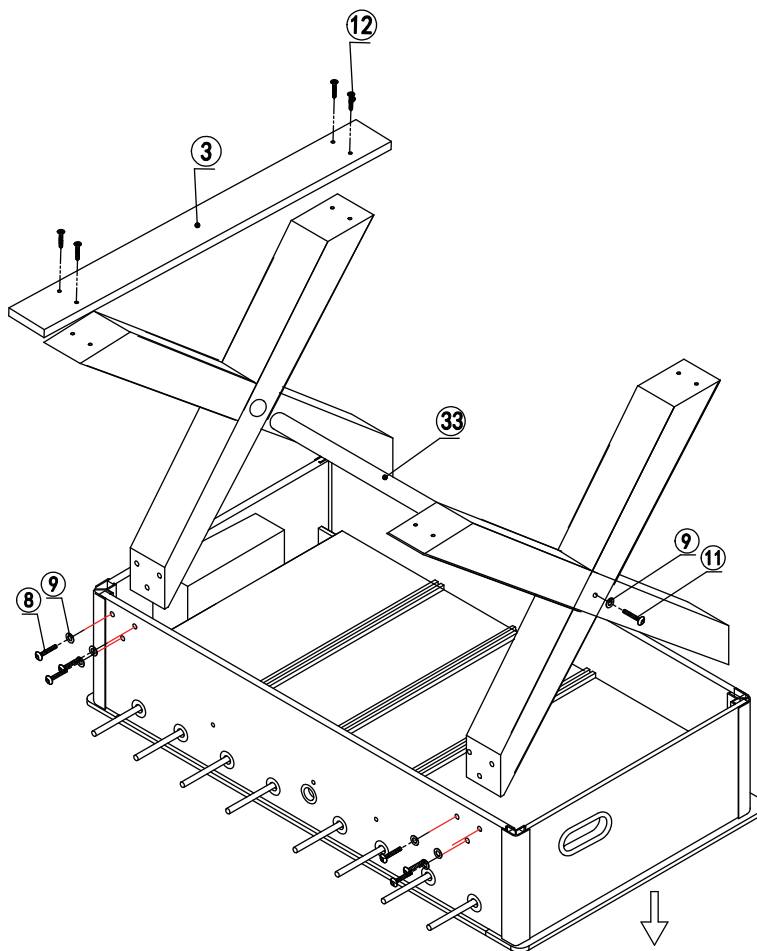


7. Attach the Left Leg (#28) and Right Leg (#29) to be "X" Style. See FIG.7

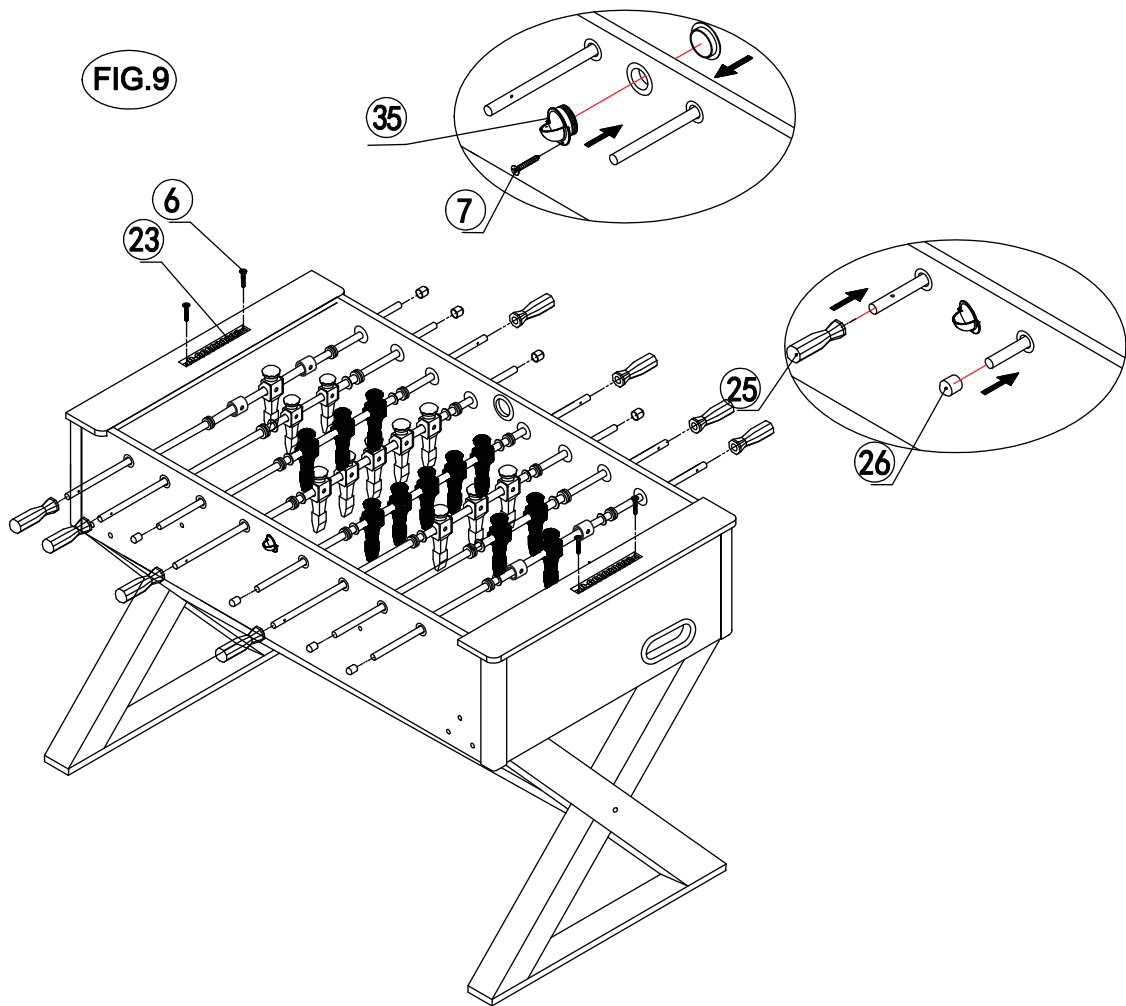


8. Attach the X leg unit to the soccer table with three Screws (#8) and three Washers (#9) per end of the X leg. And in this step you don't need to tight all screws before placing the Leg Connect Leg Bar (#33) between the X Leg. Fix the connect leg bar with one Screw (#11) and one Washer (#9) per end of connect leg bar. Then attach the Leg Base Board (#3) to the bottom of X leg unit with four Screws (#12). See FIG.8

FIG.8



8. Attach the Entry Ball Cup (#35) to the side apron by use one Screw (#7) per cup. and attach the Handle Grip (#25) and Rod Cap (#26) to the player rod. See Fig.9 as below.



ELDICO[™]
sport



in conformity with the
alternative packing
management system

Distributed by **ELDICO SPORT SA**

eMail: support@eldico.gr • Web Site: eldico.gr