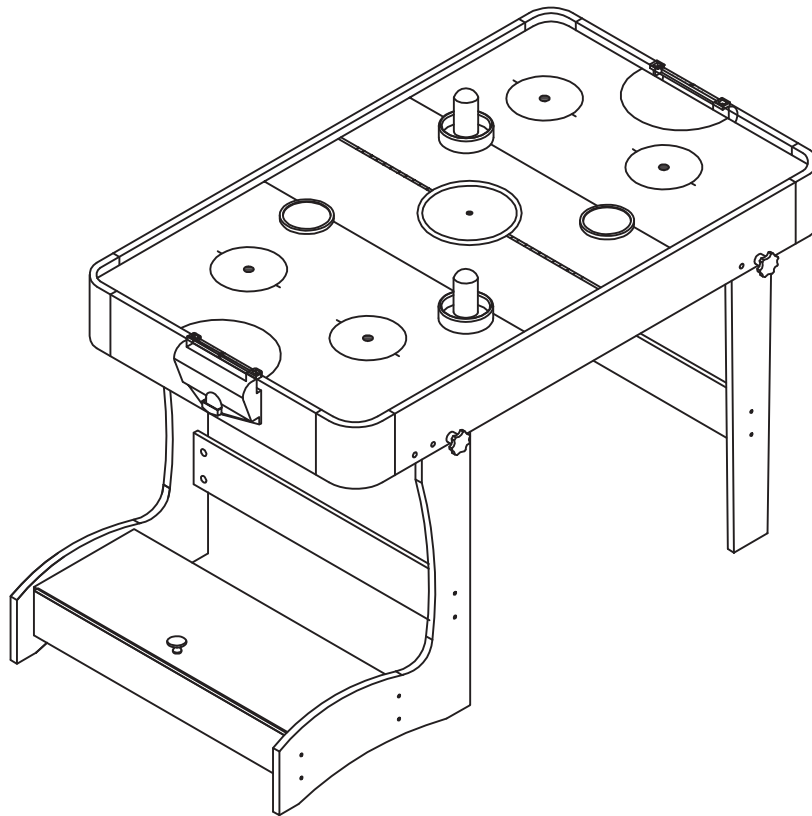


# TABLE HOCKEY

Code: 98654



**.Assembly Instructions**

**.Parts List**

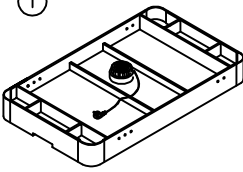
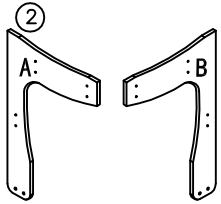
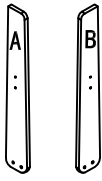
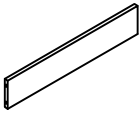
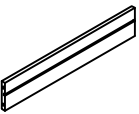
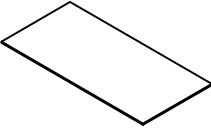
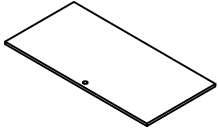













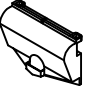






**WARNING:** Choking Hazard--Toy contains small balls and/or small parts. Not for children under 3 years.

## IMPORTANT!

Please Keep Your Instructions. Before attempting assembly, please read through this instruction book to familiarize yourself with all the parts and assembly steps. We recommend that two adults assemble this game. Please refer to the Parts List below and be sure that all parts have been included.

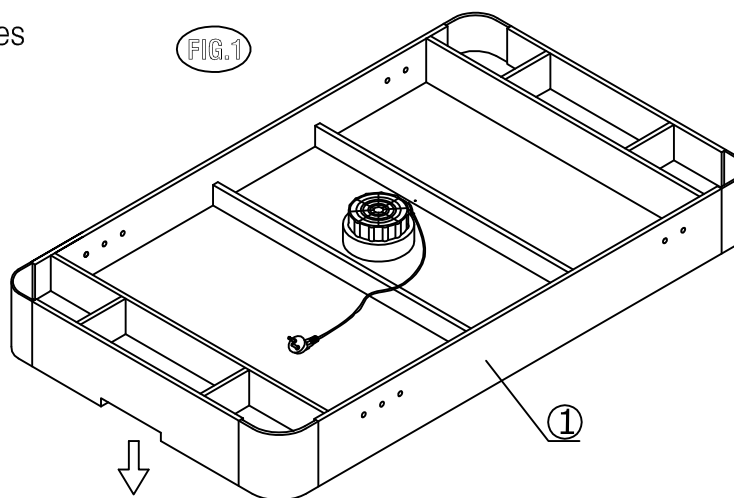
## PARTS LIST

<p>①</p>  <p>HOCKEY TABLE ASSEMBLY 1EA</p>	<p>②</p>  <p>LEG 2EA</p>	<p>③</p>  <p>LEG 2EA</p>	<p>④</p>  <p>END LEG BRACE 2EA</p>	<p>⑤</p>  <p>END LEG BRACE 2EA</p>
<p>⑥</p>  <p>SUPPORT BOARD 1EA</p>	<p>⑦</p>  <p>COVER BOARD 1EA</p>	<p>⑧</p>  <p>8X40MM LEG BOLT 4EA</p>	<p>⑨</p>  <p>20X8.5MM WASHER 8EA</p>	<p>⑩</p>  <p>6X40MM LEG BOLT 8EA</p>
<p>⑪</p>  <p>18X6.5MM WASHER 8EA</p>	<p>⑫</p>  <p>3.5X12MM WASHER HEAD SCREW 6EA</p>	<p>⑬</p>  <p>PLAYER ROD BOLT 4EA</p>	<p>⑭</p>  <p>8X40MM WING BOLT 4EA</p>	<p>⑮</p>  <p>4X20MM ROUND HEAD SCREW 1EA</p>
<p>⑯</p>  <p>3.5X35MM WASHER HEAD SCREW 10EA</p>	<p>⑰</p>  <p>3.5X10.5MM FLAT HEAD SCREW 6EA</p>	<p>⑱</p>  <p>PUSHER 2EA</p>	<p>⑲</p>  <p>PUCK 2EA</p>	<p>⑳</p>  <p>SUPPORT BRACE 1EA</p>
<p>㉑</p>  <p>GOAL BOX 2EA</p>	<p>㉒</p>  <p>KNOB 1EA</p>	<p>㉓</p>  <p>ALLEN WRENCH WRENCH 1EA</p>	<p>㉔</p>  <p>CROSS BARREL NUT 8EA</p>	<p>㉕</p>  <p>FELT PAD 2EA</p>

**ASSEMBLY INSTRUCTIONS:**  
*We recommend that two adults work together to assemble this game.*

Step 1 - Open the carton of your new hockey game near where you will play. Select a clear level floor. This game requires at least two adults to assemble the table.

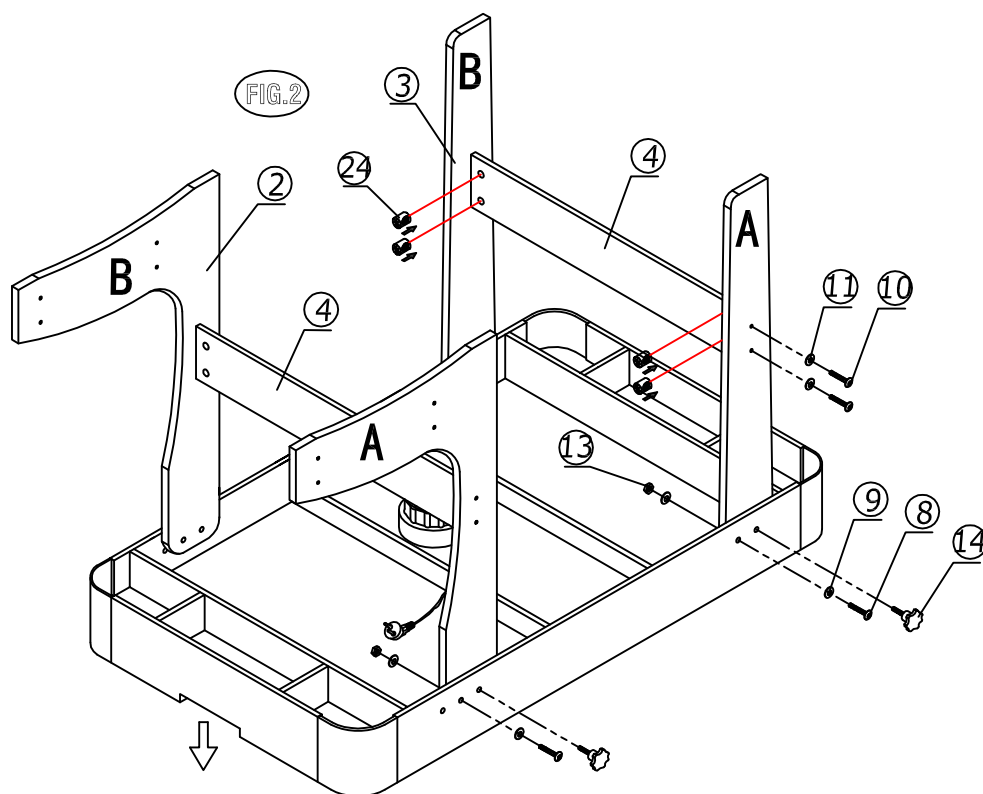
Step 2 - Remove all the contents from inside the carton and verify that you have all listed parts as shown on the Parts List. NOTE: Some parts are pre-installed. We suggest that you use the bottom carton to assemble the game and protect the game. Carefully cut or tear the four carton corners so that the bottom carton becomes a flat working surface area.



Step 3 - Place the pre-assembled Hockey Table Assembly (#1) face down in your work area.

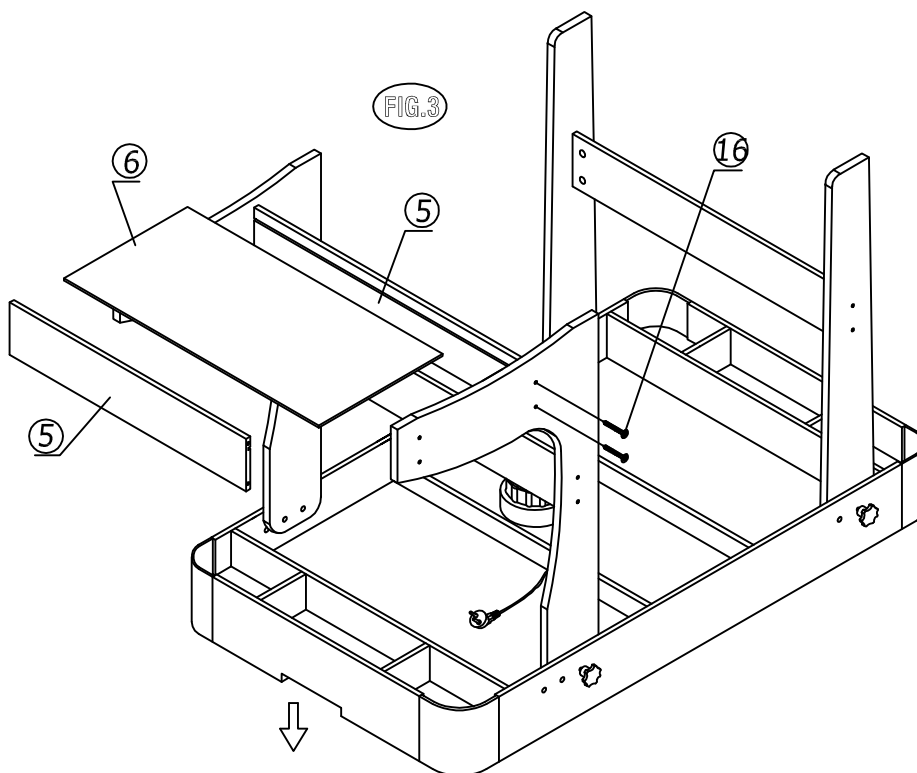
Step 4 - Attach the (#2) and (#3) Legs to the Cabinet using one of Leg Bolt (#8), two of Washers (#9), one of Rod Bolt (#13), One of Wing Bolt (#14) per Leg. See FIG.2.

Step 5 - Insert four Cross Barrel Nuts (#24) into each End Leg Braces (#4). Then attach the two End Leg Braces (#4) to the Legs (#2 & #3) using two of Leg Bolts (#10) and two of Washers (#11) per Leg. See FIG.2.

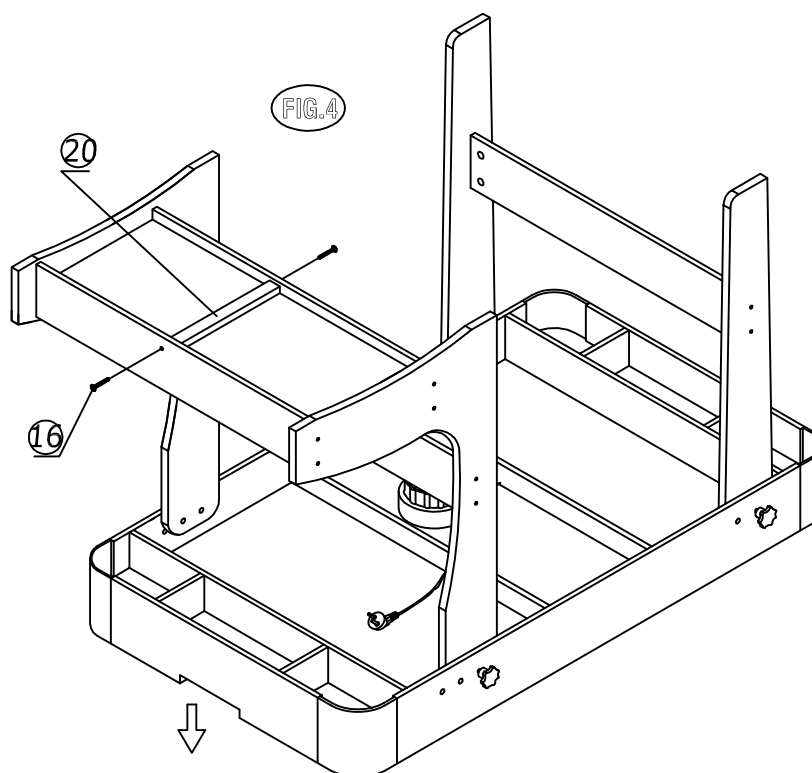


Step 6 - Attach the one End Leg Brace (#5) to the legs(#2) using four of Washer head Screws (#16) per Leg. See FIG.3.

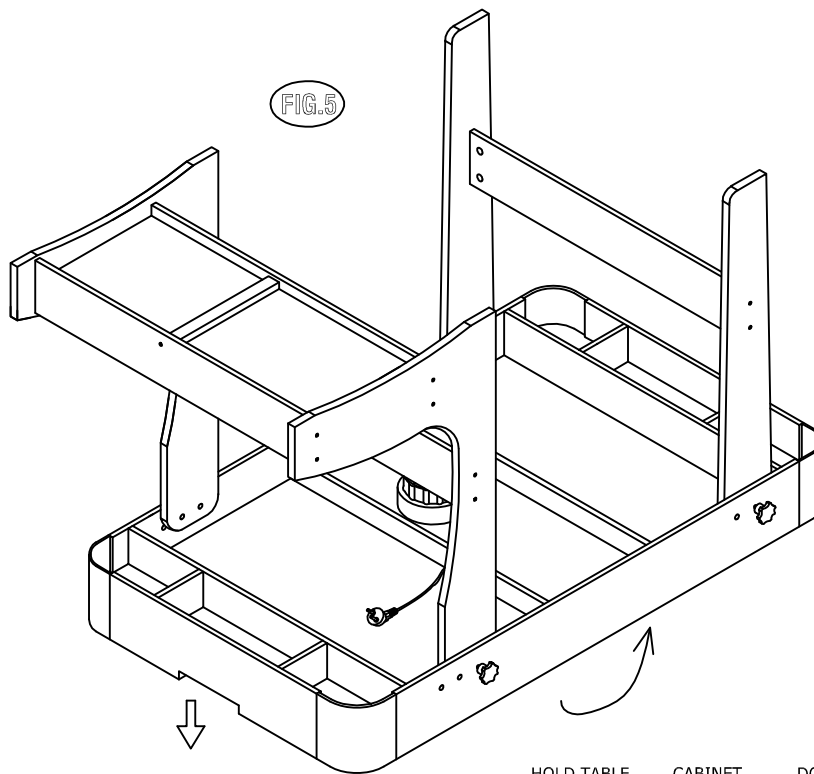
Step 7 - Slide the Support Board (#6) with graphics facing up as shown in FIG 3. Then attach the one End Leg Brace (#5) to the legs(#2) using two of the washers (#11) and two of the Leg Bolts (#10) per Leg. If the field does not slide smoothly, check to be sure you have not over tightened any screws or the Support Board is not caught by the slot.



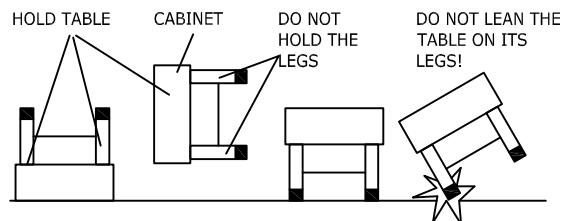
Step 8 - Place the Support Brace (#20) on the Support Board (#6) as shown in FIG.4. Attach it using one of Washer Head Screw (#19) per Side. See FIG.4.



Step 9 - Lift the table assembly from the floor with two strong adults, turn it over, and set table on its legs in the location where you will play. Go back and make sure that all connections are tight.

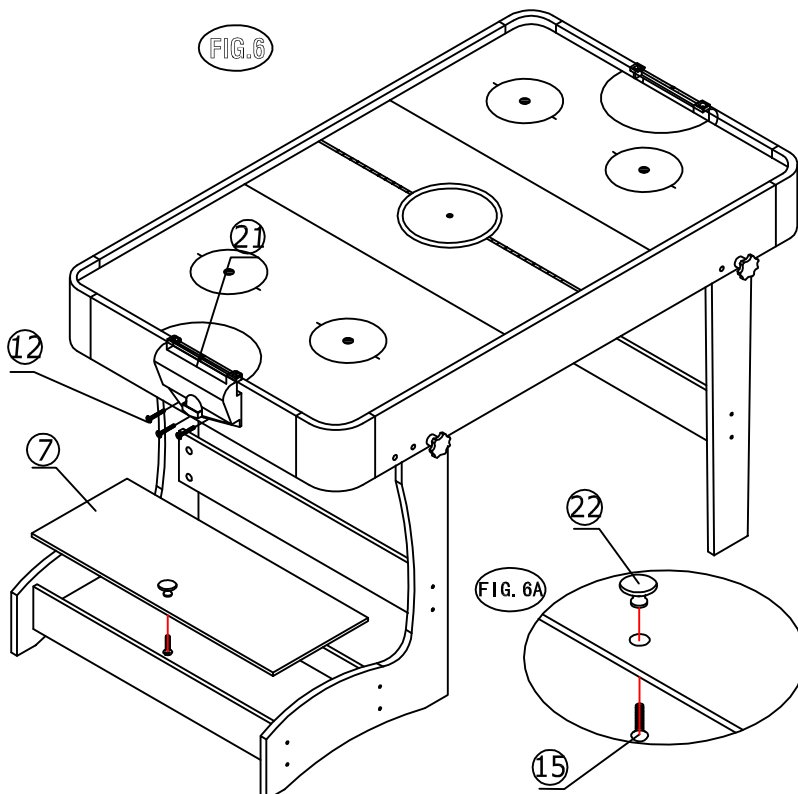


**CAUTION:** Two strong adults are recommended to flip the table as shown.  
 1. Grab the table on the ground.  
 2. Turn the table over.  
 3. Place it on all four feet at the same time on the ground.



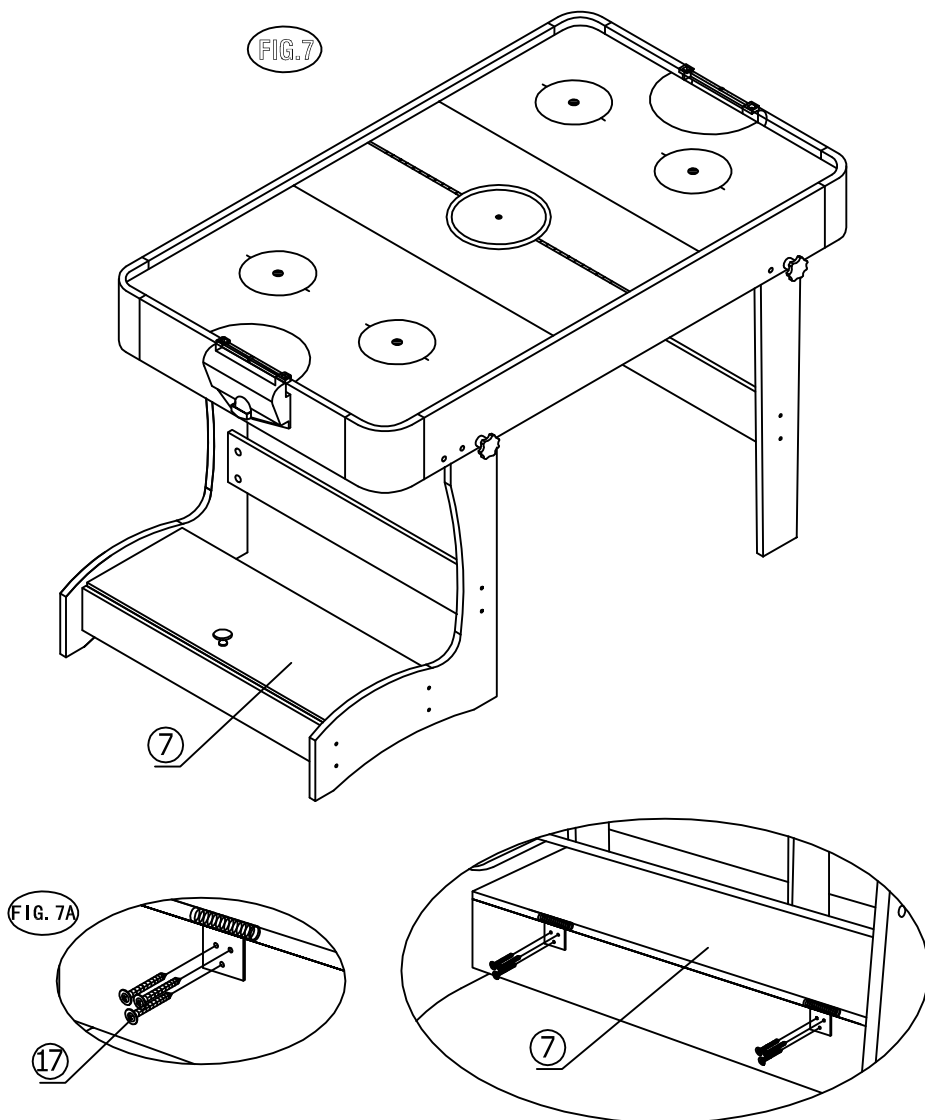
Step 10- Attach Goal Boxes (#21) to hockey end aprons using four of Washer Head Screws (#12) per Goal Box. See FIG. 6.

Step 11 - Attach the one Knob (#22) to the Cover Board (#7) using one of Round Head Screw (#15). See FIG. 6 and 6A.



Step 12 - Attach the one Cover Board (#7) to the End Leg Braces using six of Flat Head Screw (#17). See FIG.7 and 7A.

THE HOCKEY GAME ASSEMBLY IS COMPLETE .  
PLUG IN THE POWER CORD,TURN ON THE MOTOR.  
YOU ARE NOW READY TO PLAY TURBO HOCKEY.



Step 13 - Loosen the Wing Bolts (#14) on both sides, fold the table. See FIG. 7A. Then locate the Legs to the Cabinet using Wing Bolts (#14) as shown in FIG. 7B.

FIG. 8

**⚠ WARNING:**  
!keep distance from  
the Hockey Table Rod  
while fold up!

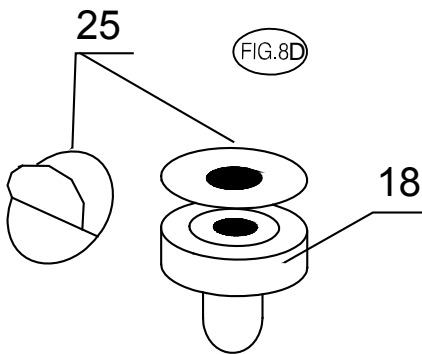


FIG. 8D

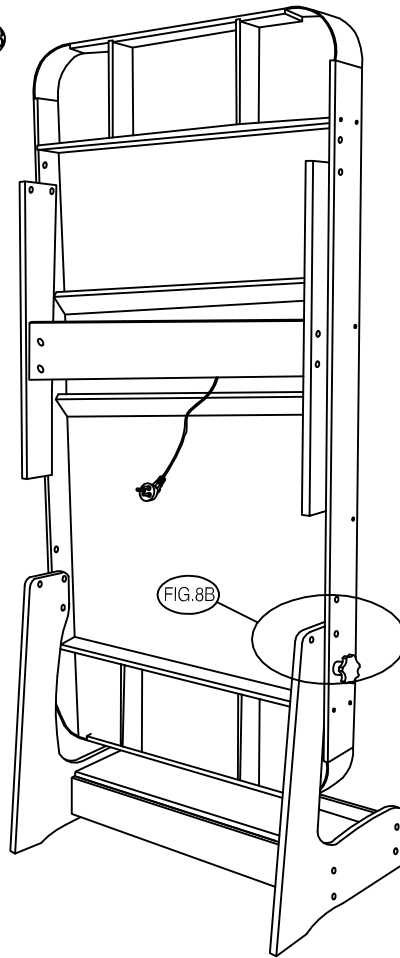


FIG. 8B

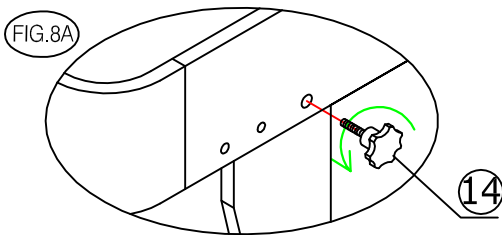


FIG. 8A

14

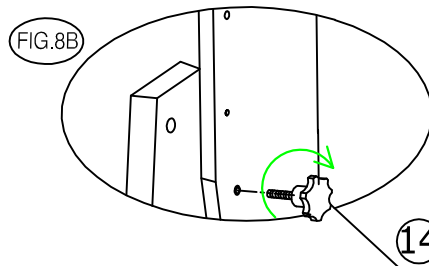


FIG. 8B

14