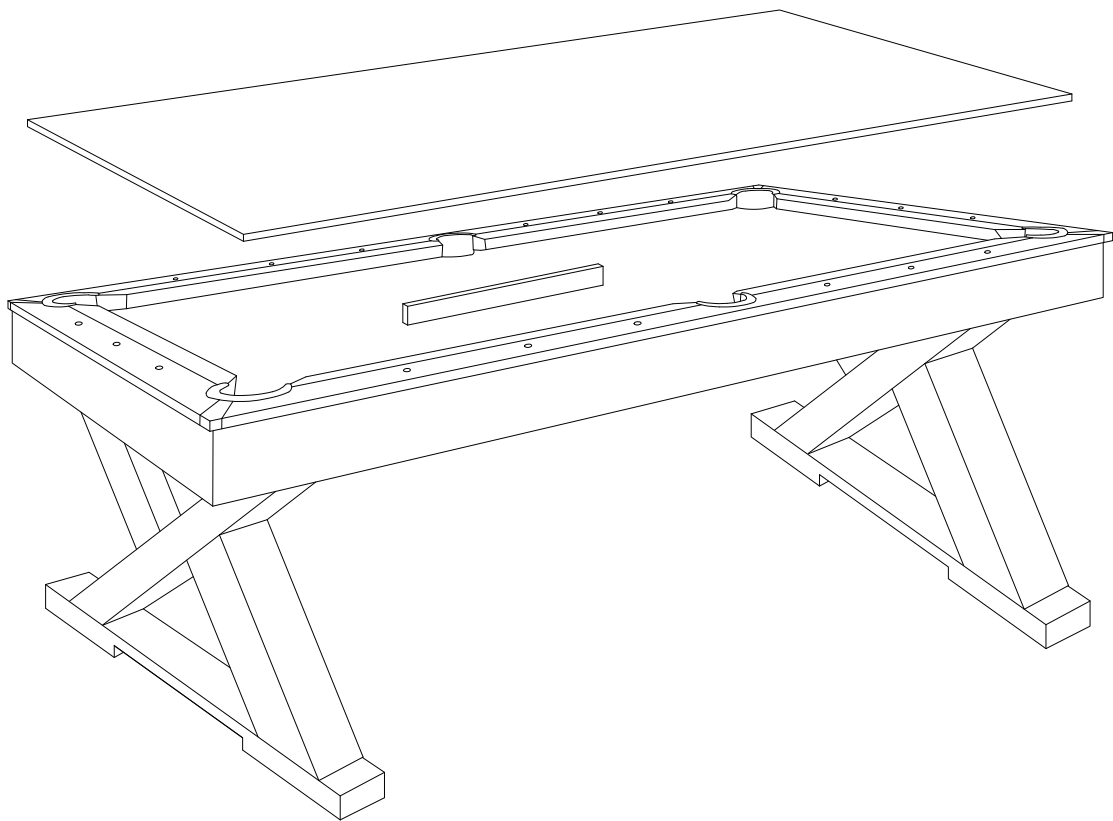


Billiard & living room table

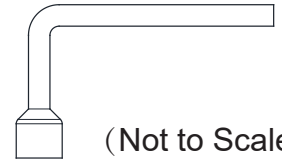
Code: 98655



HARDWARE IDENTIFIER (To Scale)

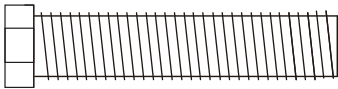


H1 - 8mm x 130mm Hex Head Bolt
(8 pcs)

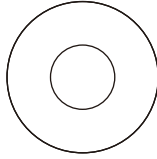


(Not to Scale)

T1 - Socket Head Wrench
(1 pc)



H2 - 8mm x 40mm Hex Head Bolt
(20 pcs)

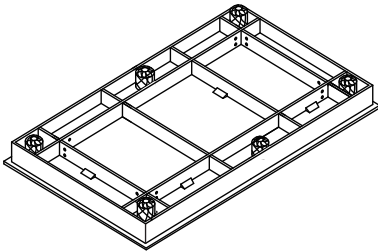


H3 - M8 Flat Washer
(28 pcs)

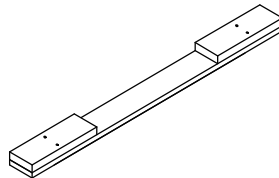


H4 - M8 Lock Washer
(28 pcs)

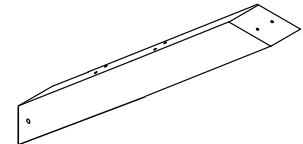
PARTS IDENTIFIER (Not to Scale)



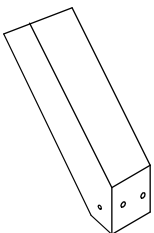
P1 - Main Cabinet
(1 pc)



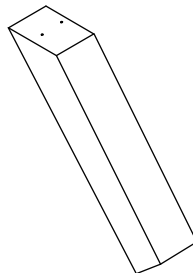
P2 - Leg Base
(2 pcs)



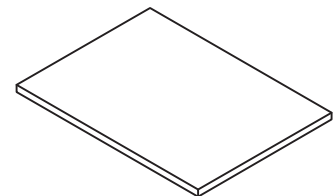
P3 - Middle Leg
(2 pcs)



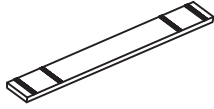
P4 - Upper Leg
(2 pcs)



P5 - Bottom Leg
(2 pcs)

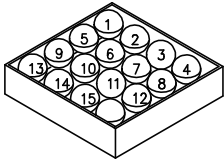


P6 - Dining Table
(2 pcs)

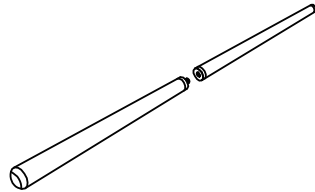


P7 - Table Tennis Support
(1 pc)

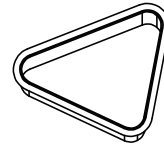
ACCESSORIES IDENTIFIER (Not to Scale)



A1 - Billiard Ball Set
(1 pc)



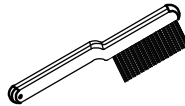
A2 - Pool Cue
(2 pcs)



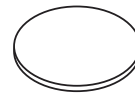
A3 - Triangle
(1 pc)



A4 - Cue Chalk
(2 pcs)



A5 - Playfield Brush
(1 pc)



A6 - Table Leveling Shim
(4 pcs)

Assembly Note:

In the following Steps 1 , 2 , & 3 , please exercise patience when starting all H1 & H2 bolts . Be sure to align bolts straight with their respective holes . Be careful not to cross thread .

Do not push on the bolts while trying to get the bolts to start as you could accidentally push the inner T-Nut out of it fixed position .

PARTS REQUIRED

- 1pc - P1 Main Cabinet
- 2pcs - P3 Middle Leg
- 2pcs - P4 Upper Leg

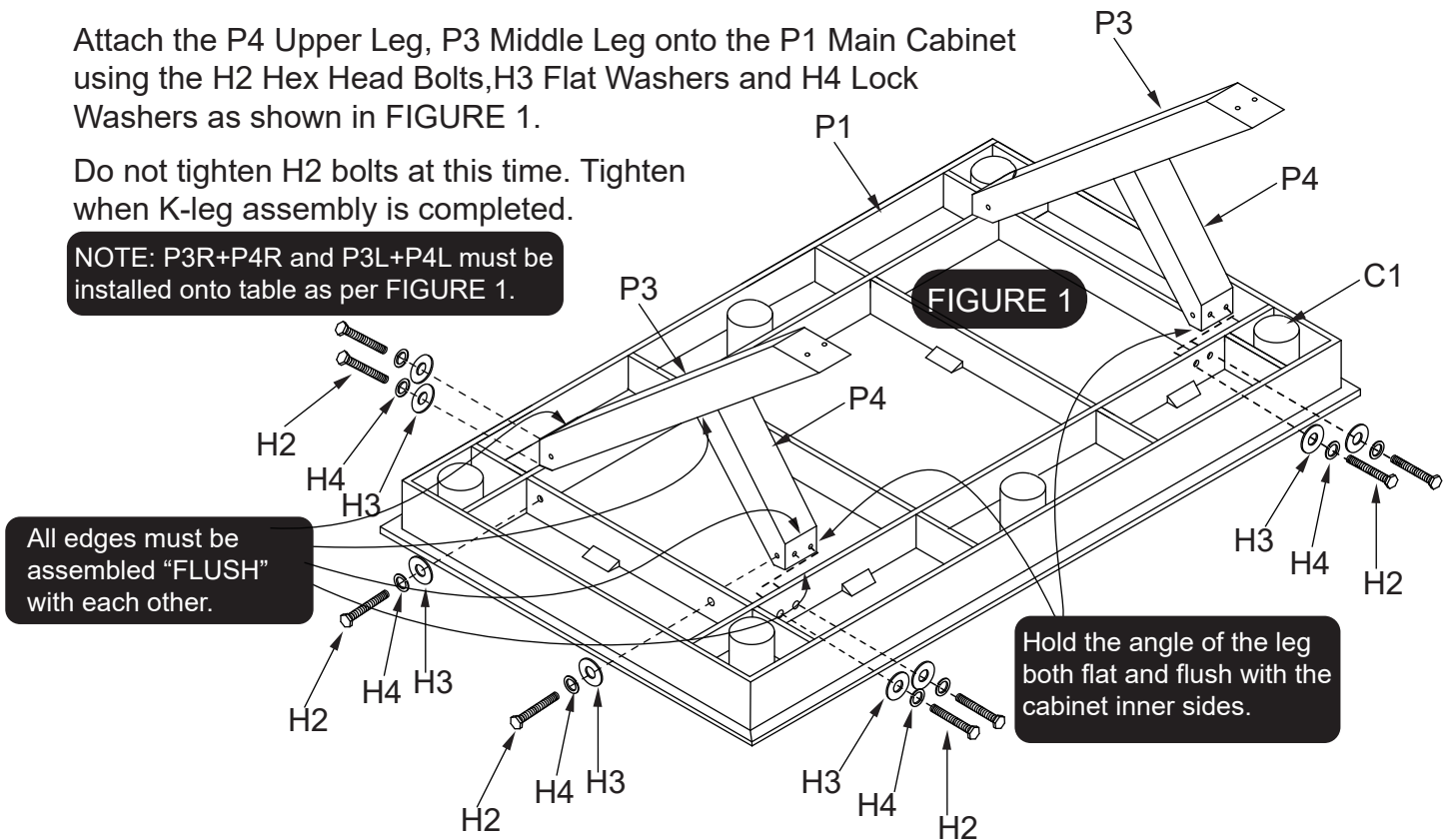
- 12pcs - H2 Hex Head Bolt
- 12pcs - H3 Flat Washer
- 12pcs - H4 Lock Washer

STEP 1

Attach the P4 Upper Leg, P3 Middle Leg onto the P1 Main Cabinet using the H2 Hex Head Bolts, H3 Flat Washers and H4 Lock Washers as shown in FIGURE 1.

Do not tighten H2 bolts at this time. Tighten when K-leg assembly is completed.

NOTE: P3R+P4R and P3L+P4L must be installed onto table as per FIGURE 1.



PARTS REQUIRED

- 2pcs - P5 Bottom Leg
- 8pcs - H1 Hex Head Bolt

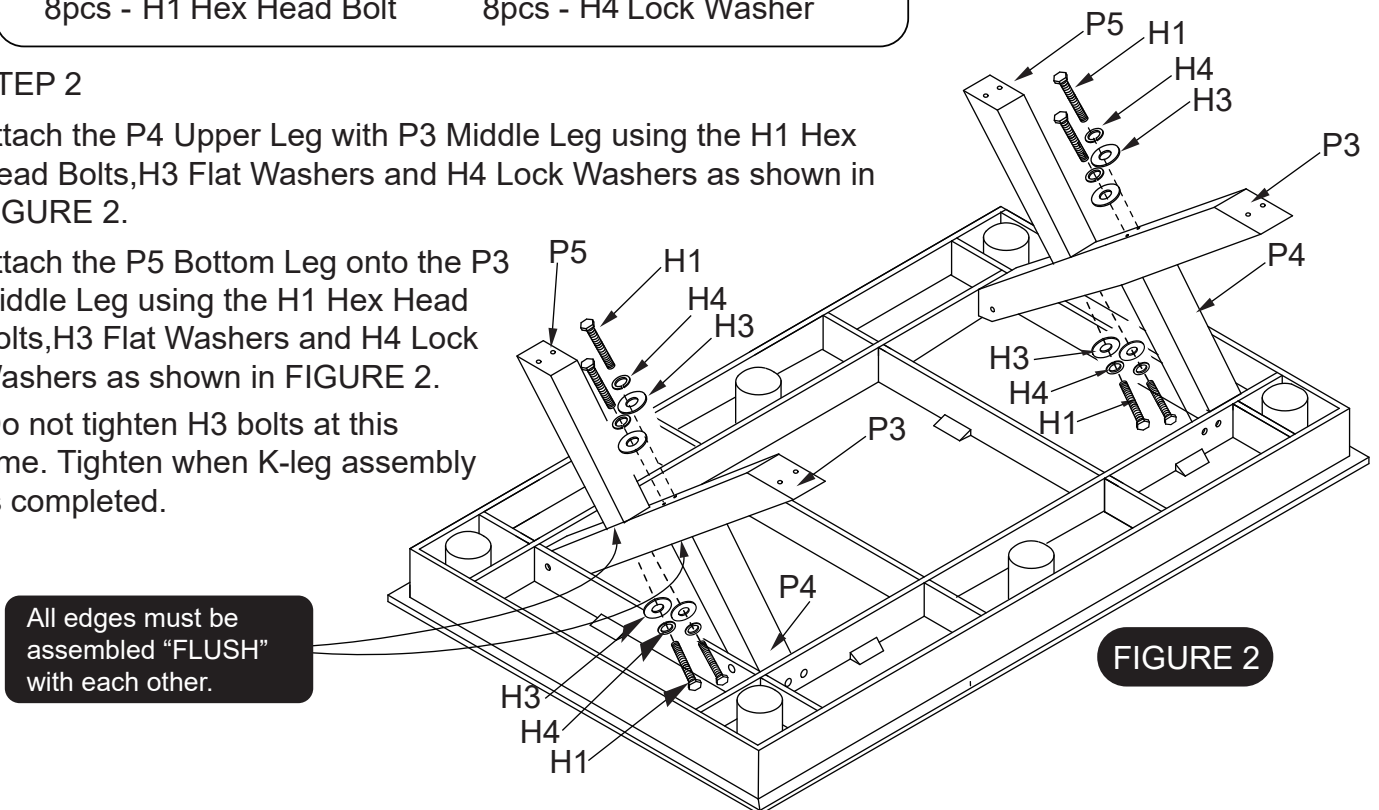
- 8pcs - H3 Flat Washer
- 8pcs - H4 Lock Washer

STEP 2

Attach the P4 Upper Leg with P3 Middle Leg using the H1 Hex Head Bolts, H3 Flat Washers and H4 Lock Washers as shown in FIGURE 2.

Attach the P5 Bottom Leg onto the P3 Middle Leg using the H1 Hex Head Bolts, H3 Flat Washers and H4 Lock Washers as shown in FIGURE 2.

Do not tighten H3 bolts at this time. Tighten when K-leg assembly is completed.



PARTS REQUIRED

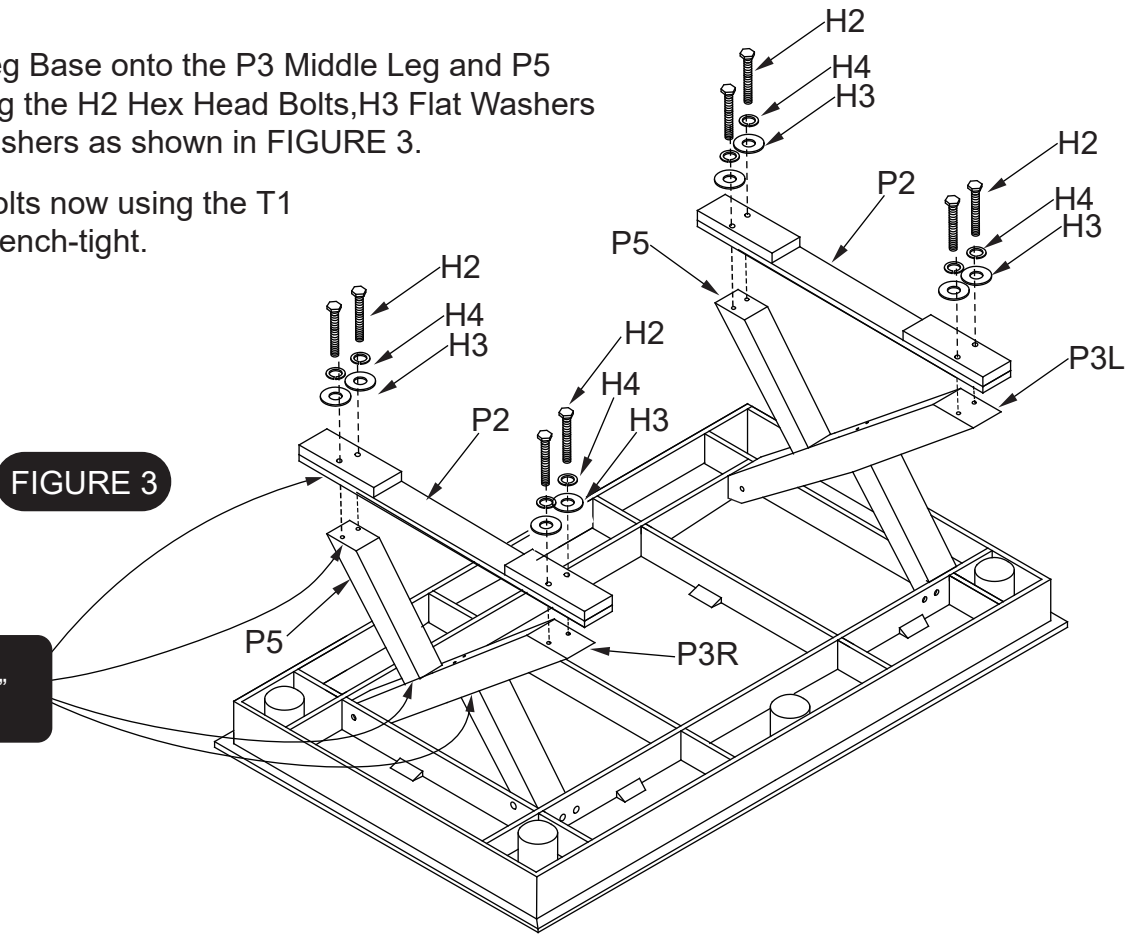
2pcs - P2 Leg Base
8pcs - H2 Hex Head Bolt

8pcs - H3 Flat Washer
8pcs - H4 Lock Washer

STEP 3

Attach the P2 Leg Base onto the P3 Middle Leg and P5 Bottom Leg using the H2 Hex Head Bolts, H3 Flat Washers and H4 Lock Washers as shown in FIGURE 3.

Tighten all leg bolts now using the T1 Socket Head Wrench-tight.

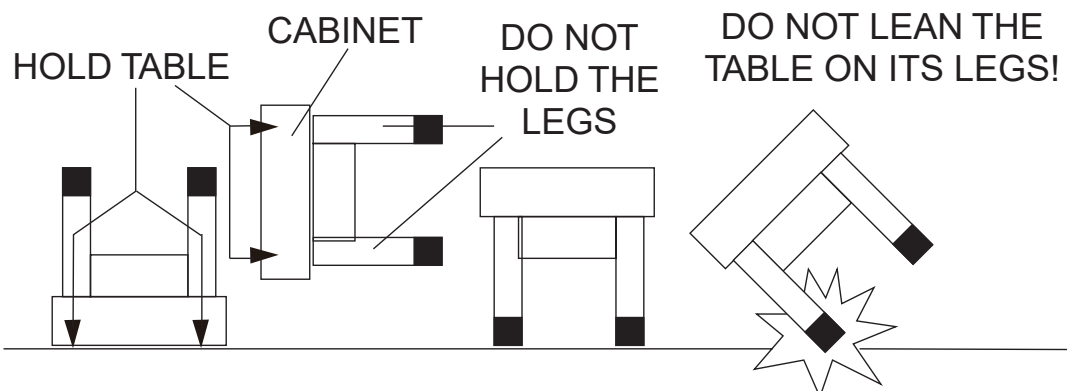


WARNING:

THIS STEP REQUIRES FOUR OR MORE ADULTS.

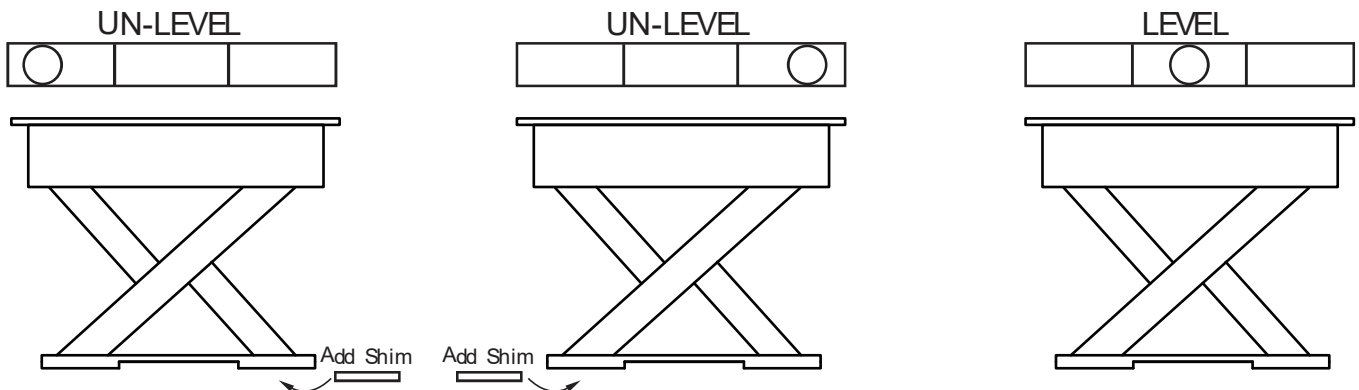
WHILE FLIPPING THE TABLE OVER, DO NOT ALLOW TABLE TO REST ON THE SIDE OF LEGS AS THIS COULD DAMAGE THEM.

VERY CAREFULLY TURN THE TABLE OVER AND SET IT ON ITS LEGS. BE CAREFUL. THE TABLE IS VERY HEAVY.

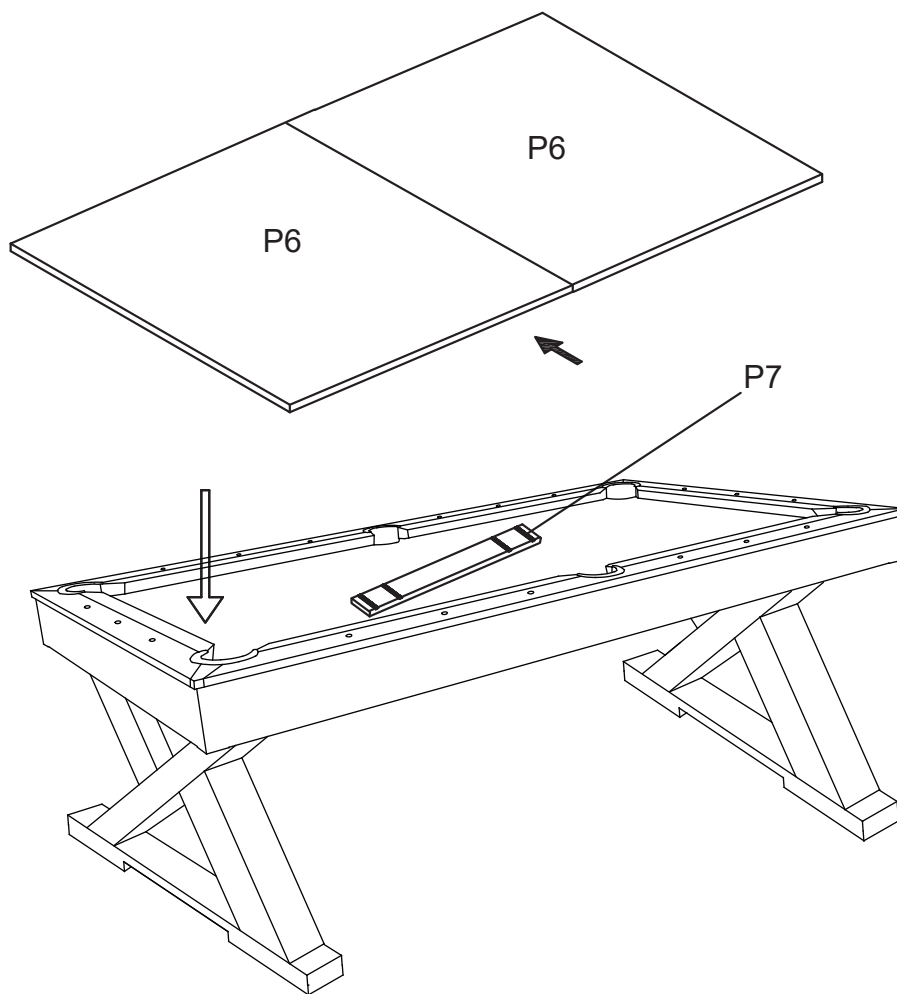


INSTRUCTIONS FOR LEVELING A POOL TABLE

- Assemble pool table according to the instruction.
- Any type of level would be sufficient to perform this procedure. However, a two-foot level is recommended.
- Before leveling, make sure level is placed on the playing surface, not the rails.
- Level the ends between the corner pockets: Place the level on the playing surface between the two corner pockets and adjust the height by placing shims (A6) underneath the leg opposite of which the bubble in the level favors until the bubble rests in the middle of the level.



- Repeat the step above to the opposite corner pockets.
- Next, level the length of the table. Place the level next to the side pocket and adjust the height to position the bubble in the middle of the level, using the shims beneath the leg opposite of which the bubble in the level favors.
- Repeat the step above to the opposite length of the table.
- Recheck both short ends to ensure bubble is in the middle on the level.
- Depending on the surface the pool table sits, especially deep pile carpeting, the pool table needs to settle for 24 hours. Recheck the level on each side of the table after 24 hours.



Congratulations! You have now assembled your table. Please note the Care and Use instructions below to insure many years of trouble free use of your game table.

CARE AND USE OF YOUR TABLE

1. Use spray furniture polish to clean all exterior surfaces of your table.
2. Use the table brush provided to clean the cloth on the table.
3. This product is intended for INDO OR use only.
4. DO NOT sit, climb or lean on the table.
5. DO NOT drag the table when moving it. This will damage the legs.
6. DO NOT set drinks on the table.
7. The purchase of a table cover will both protect and help keep clean the entire top of the table.
8. Use a carpenters level to properly level the table using the enclosed A6 leveling shims.