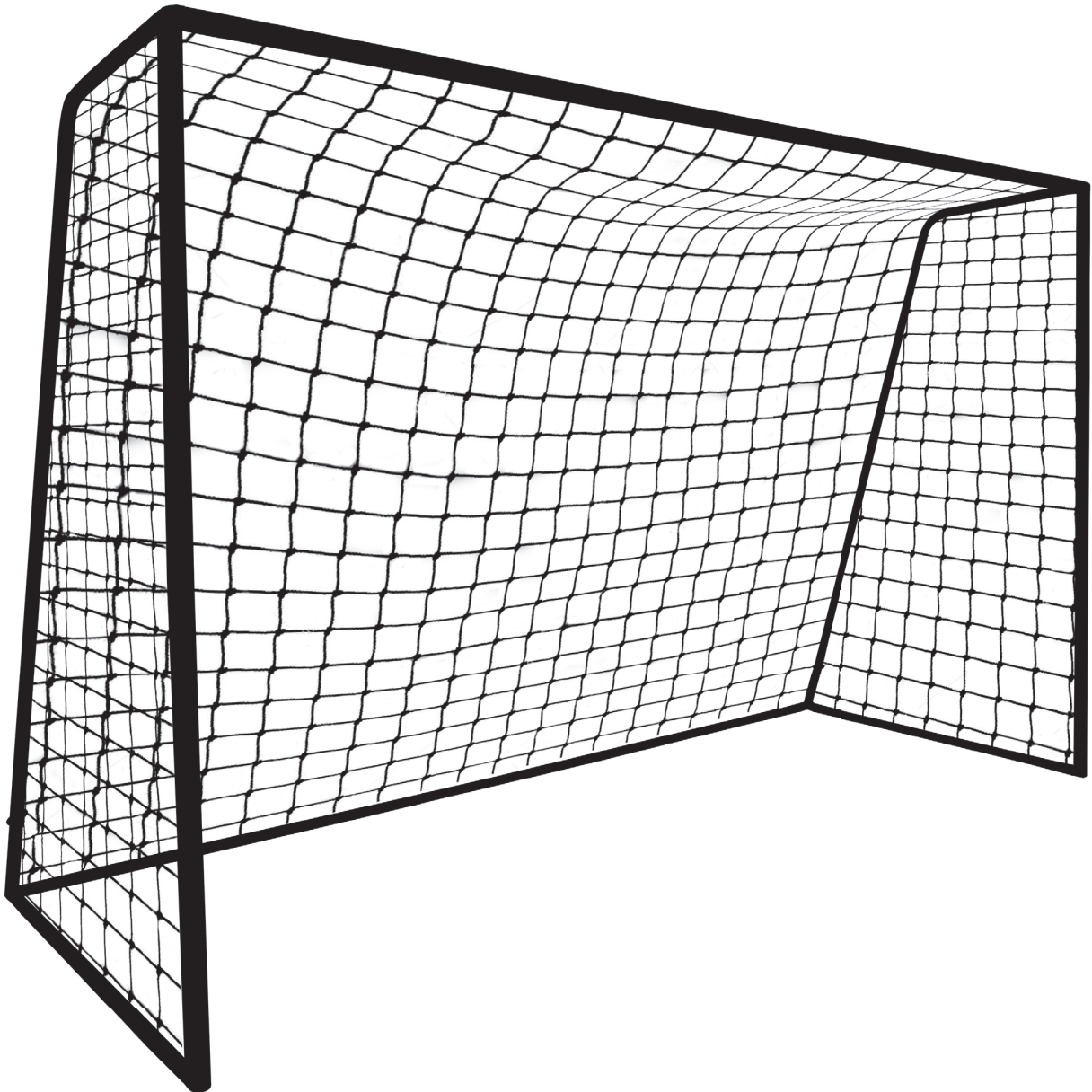


**AMILA**<sup>®</sup>  
**WWW.AMILA.IT**

# **SOCCER GOAL** (Code: 97717)

---

Soccer Goal



## ASSEMBLY PARTS

#	PCS	Description	Picture
1	1 Set	Base	
2	1 Set	Upper connection	
3	2	Tube	
4	2	Tube	
5-1	1	Tube	
5-2	1	Tube	
6-1	1	Tube	
6-2	1	Tube	
7	7	Bolt M8x55, washer, nut	

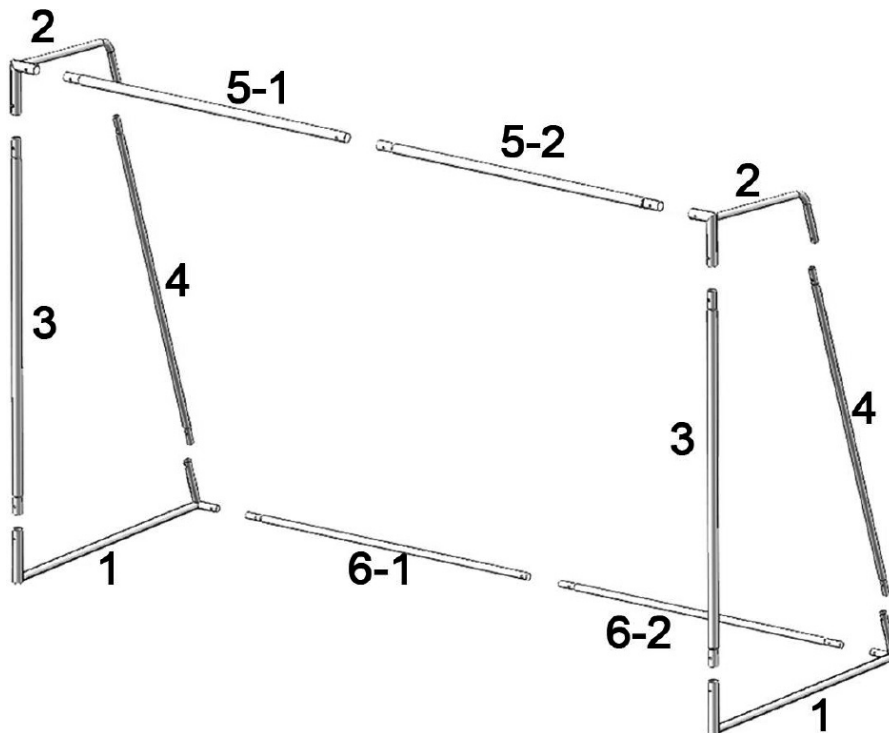
#	PCS	Description	Picture
8	7	Bolt M8x45, washer, nut	
9	7	Bolt caps	
10	16	Tie-wraps	
11	1	Net	
12	8	Hooks	

## ASSEMBLY

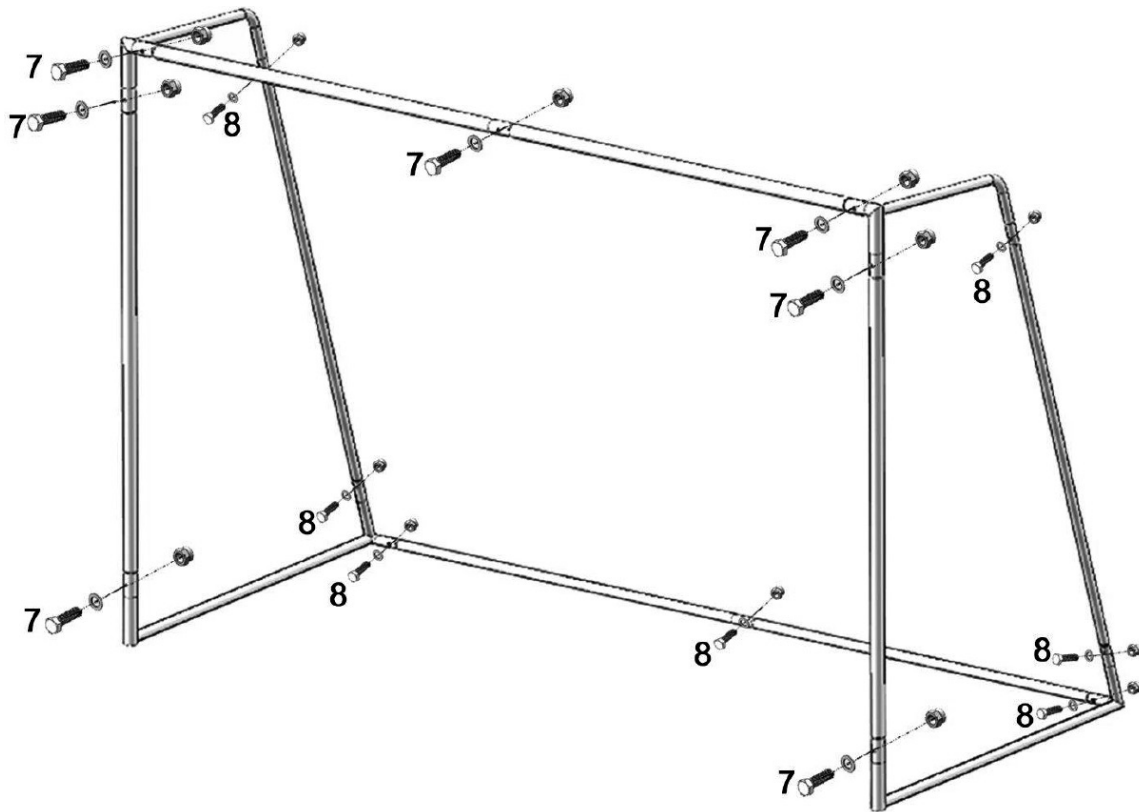
It is advised to request help from a friend.

### Step 1

Place the tubes on the ground according to how they should be assembled.

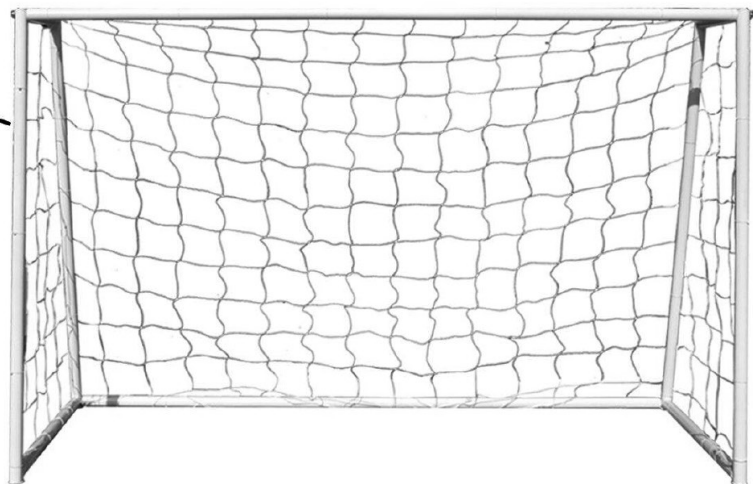
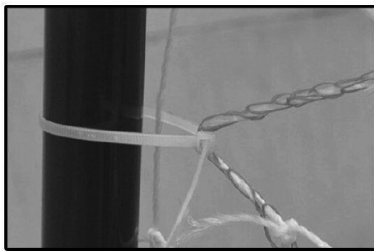


## Step 2



- Connect the tube and secure them using bolts M8x55 (7) on the front part and other bolts M8x45 (8) on the back. The washers should be on the front side, together with the hex head of the bolts, and not with the nuts.
- Place the bolt caps (9) on the bolt head on the front part of the goal.

## Step 3



Secure the net (11) on the goal using the tie-wraps (10). Also, secure the goal on the ground using the hooks (12).

**ELDICO**<sup>™</sup>  
sport



In conformity with the  
alternative packing  
management system

Distributed by **ELDICO SPORT SA**

eMail: [support@eldico.gr](mailto:support@eldico.gr) • Web Site: [eldico.gr](http://eldico.gr)